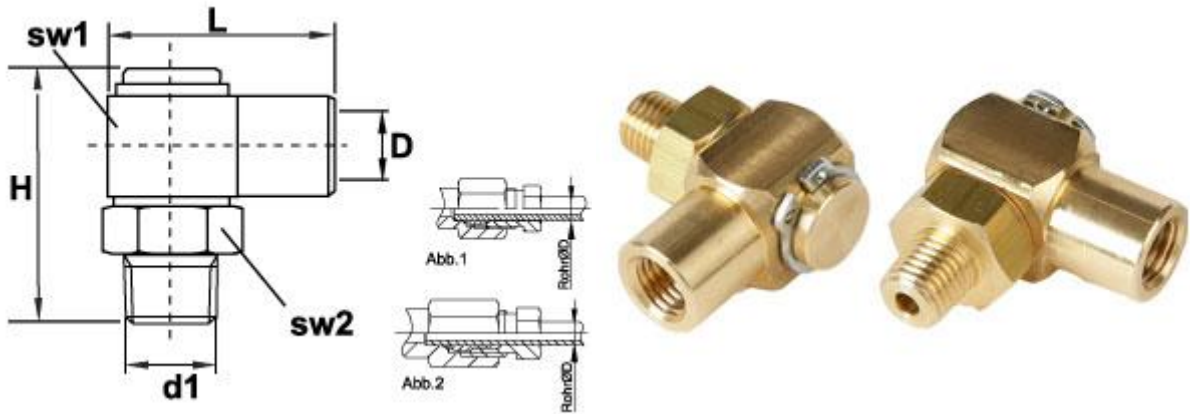




## ROTERENDE UITSCHROEFKOPPELING HAAKS RACCORDS ORIENTABLES



Artikelnummer / Référence	D	D1	sw1	sw2	H	L	tuyau Ø
CK.DA.04M08X1	M 8x1	M 8x1	15	14	30	26,5	4
CK.DA.04M10x1	M 8x1	M 10x1	15	14	30	26,5	4
CK.DA.06M06X1	M 10x1	M 6x1	15	14	30	29	6
CK.DA.06M08X1	M 10x1	M 8x1	15	14	30	29	6
CK.DA.06M10X1	M 10x1	M 10x1	15	14	30	29	6
CK.DA.06R02	M 10x1	R 1/8 BSP	15	14	30	29	6