

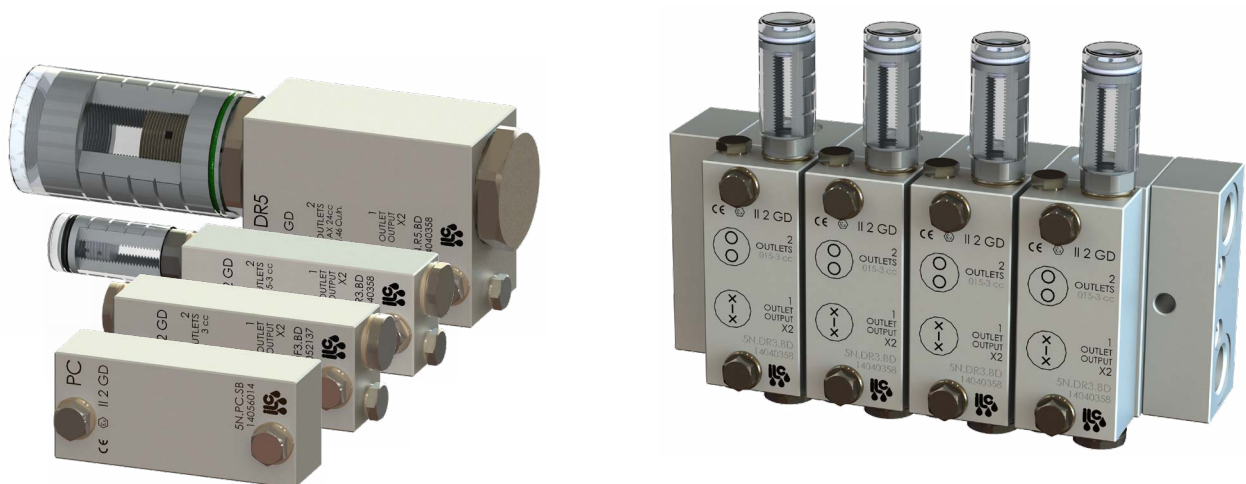
lubrication systems



# DR-DF

## Dual-line metering valve system

Designed to work all the day, every day  
in extreme condition and difficult environments



# CONTENTS

Description and benefits	3
Technical data	4
Operation (1)	5
Operation (2)	6
Discharge adjustment and Outlets	7
Assembled	8
Metering valves ordering codes	9
Assembled blocks (DF-1 / DF-3)	10
Assembled blocks (DF-1 / DF-3)	11
Assembled blocks (DR-3 / DR-5)	12
Assembled blocks (DR-3 / DR-5)	13
Bases ordering codes	14

### Descrizione generale

Dual-line lubrication systems are designed to be used on large industrial structures, facilities and systems.

DF and DR modular valves specifically designed for dual-line lubrication systems, up to 400 bar pressures. They are available with up to 8 outlets. They have many benefits over traditional monoblock dividers. DF-DR are Zi-Ni plated.

A mix of double and single discharge modules can be fitted to each base. Every module is available in two different flow rates.

DF valves come with fixed discharge and DR valves with adjustable discharge. These modules are fitted to bases which are fitted and piped to the centralized lubrication system.

**Steplessly adjustable module lubricant discharge**

**Reduced failing components maintenance cost**

**Visual indicator for system control**

**Modular design to adapt to any system needing**

**Closing plates for future system expansion**

**Always supplied complete with standard 'O' rings and fixing screws**

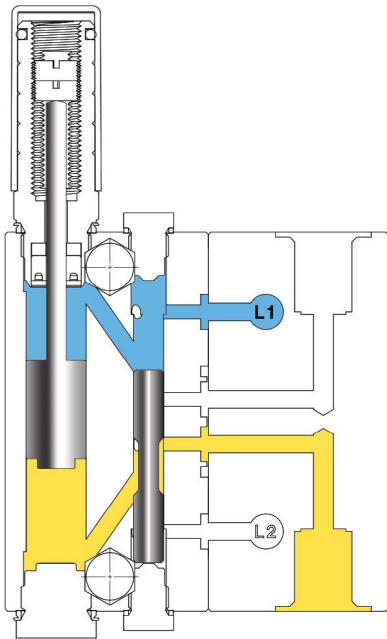
Data sheet

Max pressure	400 bar
Operating temperature	from -30 °C to +80 °C
Lubricants	Min 100 cSt 40 °C Max NLGI 2 at operating temperature
Cycle/minute	100
Main line connection inlet	3/8" bsp o nptf
Outlet line connection inlet	1/4" bsp o nptf
Material body	Carbon steel SS.316-L

Outlet discharge/cycle

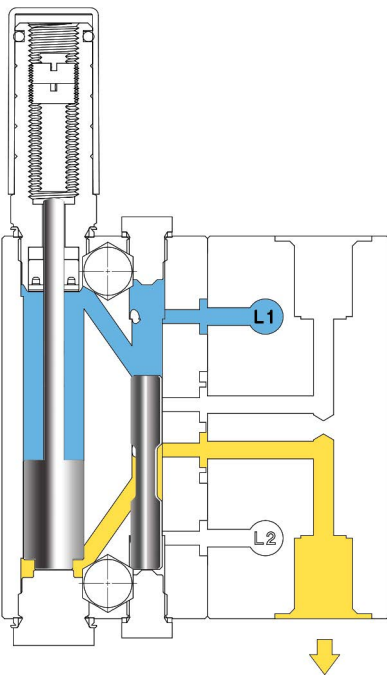
DF-1	DF-3	DR-3	DR-5
1 cc fixed	3 cc fixed	0.15 ÷ 3 cc adjustable	0.5 ÷ 24 cc adjustable





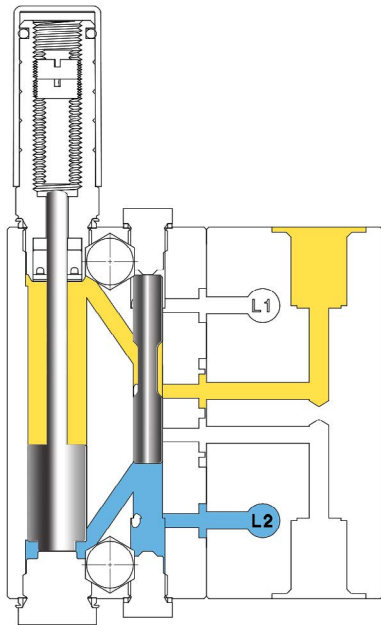
A

Lubricant from the pump discharge in L1, pressurized lubricant enters inlet at top right - pushing inlet piston down uncovering both diagonal passages and pressurizing the upper diagonal passage and the chamber above Discharge piston. Discharge piston begins to move down.



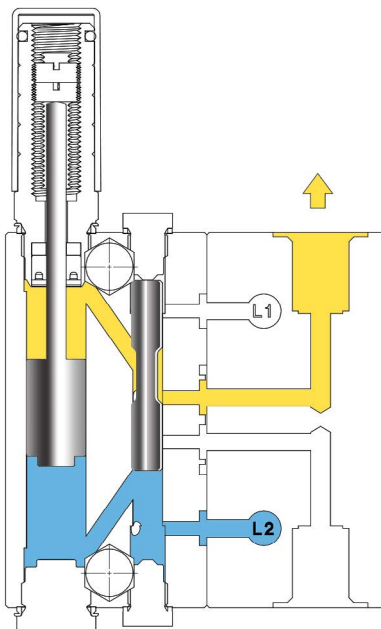
B

The pressurized lubricant forces the Discharge piston to the end of its stroke, and the full measured charge is delivered to the bearing. Further application of pressure on the upper supply line will have no effect.



C

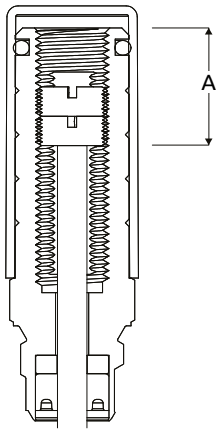
When the flow directing valve at the pump is changed over and the pressurised lubricant enters inlet at the bottom right - pushing inlet piston up uncovering both diagonal passages and pressurising the lower diagonal passage and the chamber below Discharge piston. Discharge piston begins to move up.



D

The pressurised lubricant from the lower port forces the Discharge piston to the end of its stroke and the full measured charge is delivered to the bearing. Further application of pressure on the lower supply line will have no effect.

### Discharge adjustment



Every valve is equipped with a visual indicator for lubricant discharge adjustment.

The valve discharge can be adjusted on site to suit the application needs or preliminary specified by ILC during design phase.

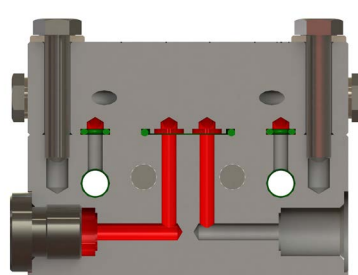
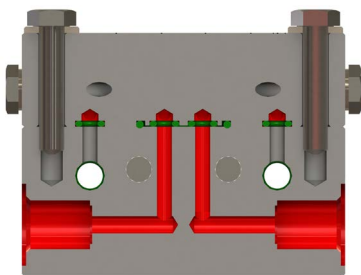
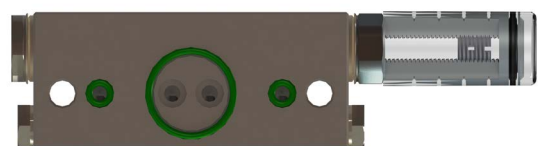
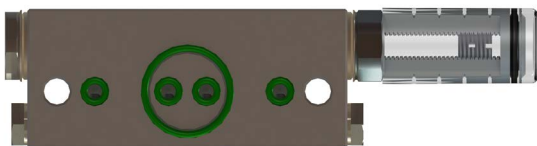
Lubricant discharge percentage is directly displayed by the visual pin position (A).

### Single and double discharge outlet conversion

Valves are supplied by standard with double outlet discharge. To convert to single outlet discharge, unscrew the two fastening screws that secure the metering device to the base. Remove then the two "O" rings inside and reassemble the valve on the base.

#### Important

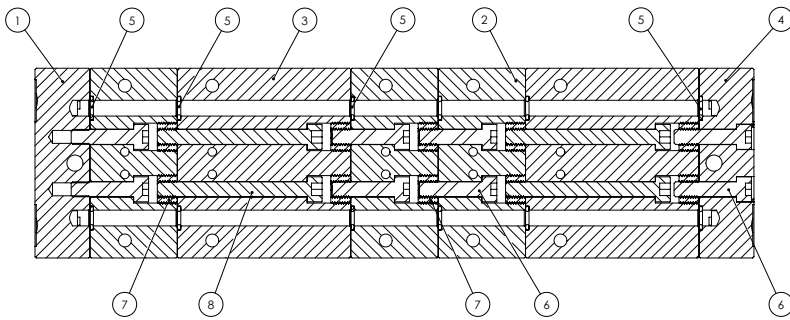
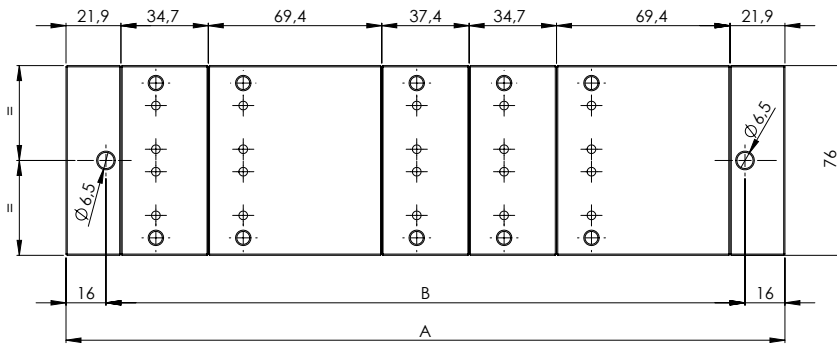
Order the unused discharge closing cap separately (**cod. TW.107602**)



double discharge

single discharge

Assembled block with different modules



The two different bases grant an array of different configurations.

In the picture an example of an assembled block made with different module size.

We can get A and B size from single modules size.

A	B
---	---

286,7 mm      254,7 mm

Base DR/DF-3	Base DR-5
--------------	-----------

34,7 mm      69,4 mm

DR-3/DF-3 model

Valves	A	B
1	78,5 mm	46,5 mm
2	113,2 mm	81,2 mm
3	147,9 mm	115,9 mm
4	182,6 mm	150,6 mm

DR-5 Model

Valves	A	B
1	78,5 mm	46,5 mm
2	113,2 mm	81,2 mm
3	147,9 mm	115,9 mm
4	182,6 mm	150,6 mm

Pos.	Cod. BSP Thread	Cod. NPTF Thread	Description
1	5N.BB.A.BSP	5N.BB.A.NPTF	3/8" Initial base
2	5N.BB.B.BSP	5N.BB.B.NPTF	DR-3 valve base
3	5N.G.BB.B.BSP	5N.G.BB.B. NPTF	DR-5 1/4" valve base
4	5N.BB.C.BS	5N.BB.C.NPTF	3/8" final base
5	A92.127195		"O"ring 106 Viton
6	UNI5931-M6X25		TCE M6X25 UNI 5931 Screw
7	A51087083		M12X1 Threaded bushes
8	UNI5931-M6X60		TCE M6x60 UNI 5931 Screw



Standard



Fixed discharge

Line	Discharge	Steel	SS316.L
DF1	1 cc	5N.F1.BD	5X.F1.BD
DF3	3 cc	5N.F3.BD	5X.F3.BD

Adjustable discharge

Line	Discharge	Steel	SS316.L
DR3	0,15 - 3 cc	5N.R3.BD	5X.R3.BD
DR5	0,5 - 24 cc	5N.R5.BD	5X.R5.BD

With cycle control



Fixed discharge

Line	Discharge	Steel	SS316.L
DF1	1 cc	5N.F1.BD.ICS	5X.F1.BD.ICS
DF3	3 cc	5N.F3.BD.ICS	5X.F3.BD.ICS

Adjustable discharge

Line	Discharge	Steel	SS316.L
DR5	0,15 - 3 cc	5N.R3.BD.ICS	5X.R3.BD.ICS
DR5	0,5 - 24 cc	5N.R5.BD.ICS	5X.R5.BD.ICS

Single control element codes

DF1/3-DR3	5N.ICS.03
DR5	5N.ICS.05



Fixed or adjustable discharge valves can be equipped with an inductive sensor (M12 x 1) for cycle control.

This solution is applied where is necessary to monitor DI-scharge piston real movement.

The element can be ordered already equipped with control or expanded later removing the closing cap.

Closing plates



Closing plates can be installed in view of additional elements being added or unused points BSP-NPTF being removed.

Steel	SS316.L
5N.PC.SB	5X.PC.SB

## DF-1

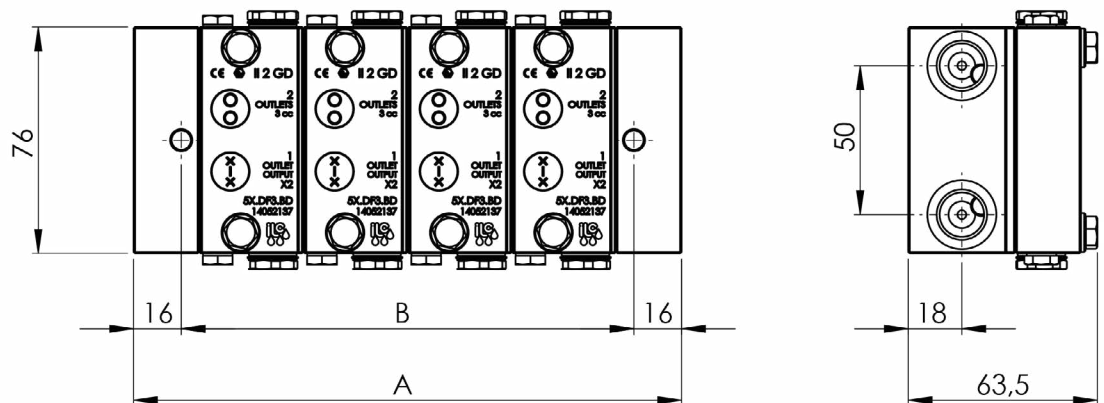
## Fixed discharge 1 cc

Steel		SS316.L		Outlets	A	B
BSP	NPTF	BSP	NPTF			
5N.DF1.01.BSP	5N.DF1.01.NPTF	5X.DF1.01.BSP	5X.DF1.01.NPTF	2	78.5	46.5
5N.DF1.02.BSP	5N.DF1.02.NPTF	5X.DF1.02.BSP	5X.DF1.02.NPTF	4	113.2	81.2
5N.DF1.03.BSP	5N.DF1.03.NPTF	5X.DF1.03.BSP	5X.DF1.03.NPTF	6	147.9	115.9
5N.DF1.04.BSP	5N.DF1.04.NPTF	5X.DF1.04.BSP	5X.DF1.04.NPTF	8	182.6	150.6

## DF-3

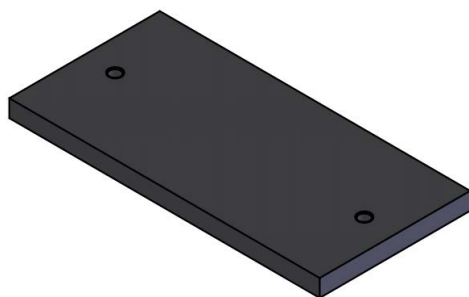
## Fixed discharge 3 cc

Steel		SS316.L		Outlets	A	B
BSP	NPTF	BSP	NPTF			
5N.DF3.01.BSP	5N.DF3.01.NPTF	5X.DF3.01.BSP	5X.DF3.01.NPTF	2	78.5	46.5
5N.DF3.02.BSP	5N.DF3.02.NPTF	5X.DF3.02.BSP	5X.DF3.02.NPTF	4	113.2	81.2
5N.DF3.03.BSP	5N.DF3.03.NPTF	5X.DF3.03.BSP	5X.DF3.03.NPTF	6	147.9	115.9
5N.DF3.04.BSP	5N.DF3.04.NPTF	5X.DF3.04.BSP	5X.DF3.04.NPTF	8	182.6	150.6



## Weld plates

## for DF-1 / DF-3 valves



Steel	SS316.L	Valves	A (mm)	B (mm)
CN.FP3.01	CX.FP3.01	1	46.5	75
CN.FP3.02	CX.FP3.02	2	81.2	109.7
CN.FP3.03	CX.FP3.03	3	115.9	144.4
CN.FP3.04	CX.FP3.04	4	150.6	179.1

DF-1

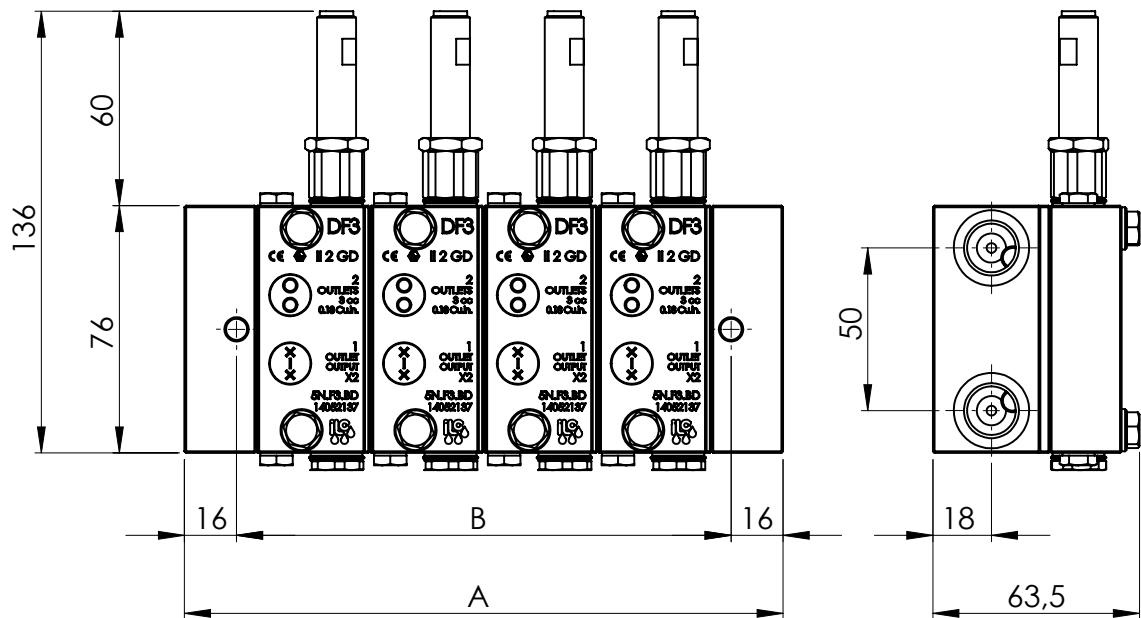
Fixed discharge 1 cc (with inductive sensor)

Steel		SS316.L		Outlets	A	B
BSP	NPTF	BSP	NPTF			
5N.DF1.01.BSP.ICS	5N.DF1.01.NPTF.ICS	5X.DF1.01.BSP.ICS	5X.DF1.01.NPTF.ICS	2	78.5	46.5
5N.DF1.02.BSP.ICS	5N.DF1.02.NPTF.ICS	5X.DF1.02.BSP.ICS	5X.DF1.02.NPTF.ICS	4	113.2	81.2
5N.DF1.03.BSP.ICS	5N.DF1.03.NPTF.ICS	5X.DF1.03.BSP.ICS	5X.DF1.03.NPTF.ICS	6	147.9	115.9
5N.DF1.04.BSP.ICS	5N.DF1.04.NPTF.ICS	5X.DF1.04.BSP.ICS	5X.DF1.04.NPTF.ICS	8	182.6	150.6

DF-3

Fixed discharge 3 cc (with inductive sensor)

Steel		SS316.L		Outlets	A	B
BSP	NPTF	BSP	NPTF			
5N.DF3.01.BSP.ICS	5N.DF3.01.NPTF.ICS	5X.DF3.01.BSP.ICS	5X.DF3.01.NPTF.ICS	2	78.5	46.5
5N.DF3.02.BSP.ICS	5N.DF3.02.NPTF.ICS	5X.DF3.02.BSP.ICS	5X.DF3.02.NPTF.ICS	4	113.2	81.2
5N.DF3.03.BSP.ICS	5N.DF3.03.NPTF.ICS	5X.DF3.03.BSP.ICS	5X.DF3.03.NPTF.ICS	6	147.9	115.9
5N.DF3.04.BSP.ICS	5N.DF3.04.NPTF.ICS	5X.DF3.04.BSP.ICS	5X.DF3.04.NPTF.ICS	8	182.6	150.6



## DR-3

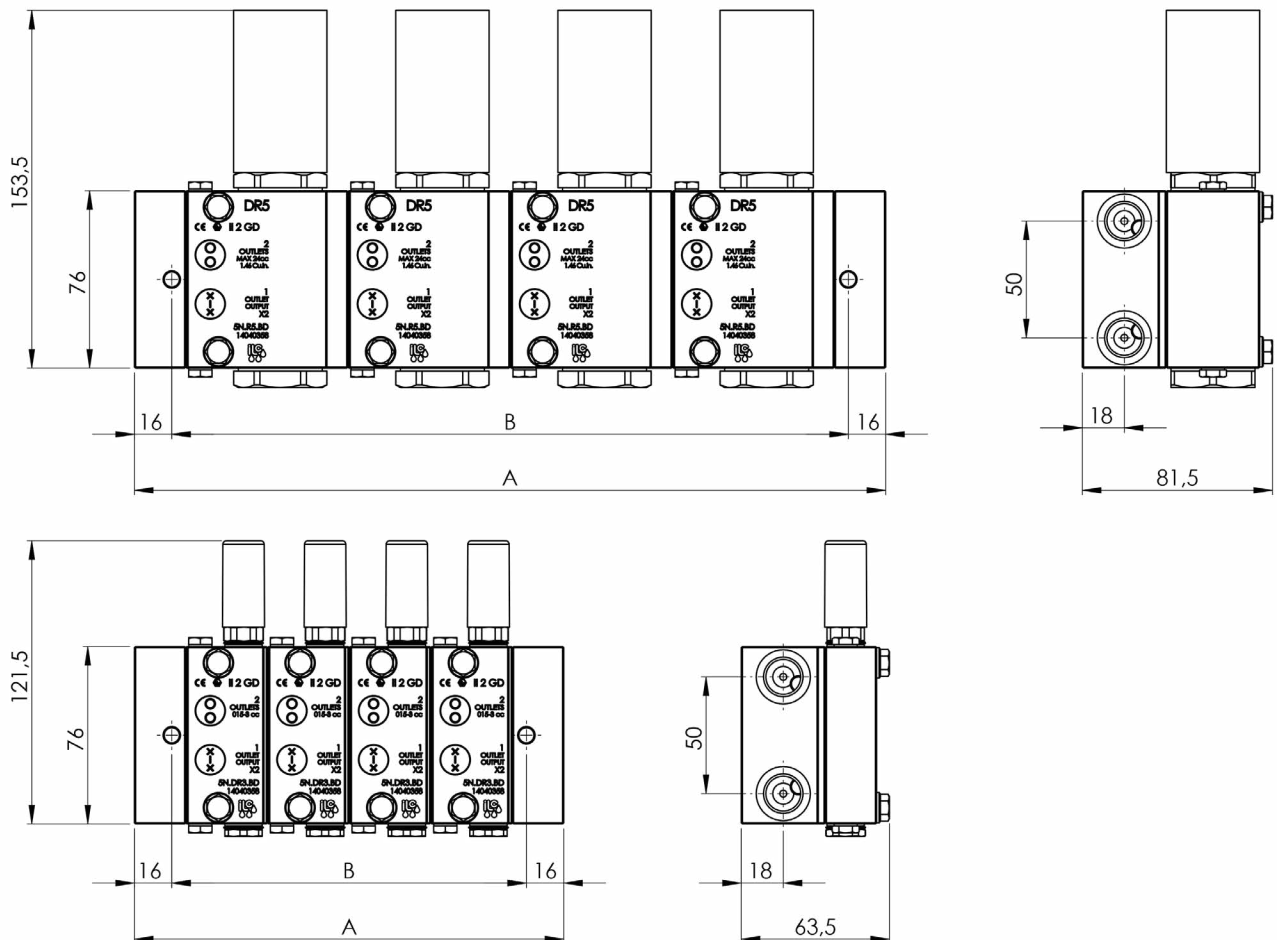
Adjustable discharge 0.15 - 3.0 cc

Steel		SS316.L		Outlets	A	B
BSP	NPTF	BSP	NPTF			
5N.DR3.01.BSP	5N.DR3.01.NPTF	5X.DR3.01.BSP	5X.DR3.01.NPTF	2	78.5	46.5
5N.DR3.02.BSP	5N.DR3.02.NPTF	5X.DR3.02.BSP	5X.DR3.02.NPTF	4	113.2	81.2
5N.DR3.03.BSP	5N.DR3.03.NPTF	5X.DR3.03.BSP	5X.DR3.03.NPTF	6	147.9	115.9
5N.DR3.04.BSP	5N.DR3.04.NPTF	5X.DR3.04.BSP	5X.DR3.04.NPTF	8	182.6	150.6

## DR-5

Adjustable discharge 0.5 - 24.0 cc

Steel		SS316.L		Outlets	A	B
BSP	NPTF	BSP	NPTF			
5N.DR5.01.BSP	5N.DR5.01.NPTF	5X.DR5.01.BSP	5X.DR5.01.NPTF	2	113	81.2
5N.DR5.02.BSP	5N.DR5.02.NPTF	5X.DR5.02.BSP	5X.DR5.02.NPTF	4	182,6	150.6
5N.DR5.03.BSP	5N.DR5.03.NPTF	5X.DR5.03.BSP	5X.DR5.03.NPTF	6	252	220
5N.DR5.04.BSP	5N.DR5.04.NPTF	5X.DR5.04.BSP	5X.DR5.04.NPTF	8	321.4	289.4



DR-3

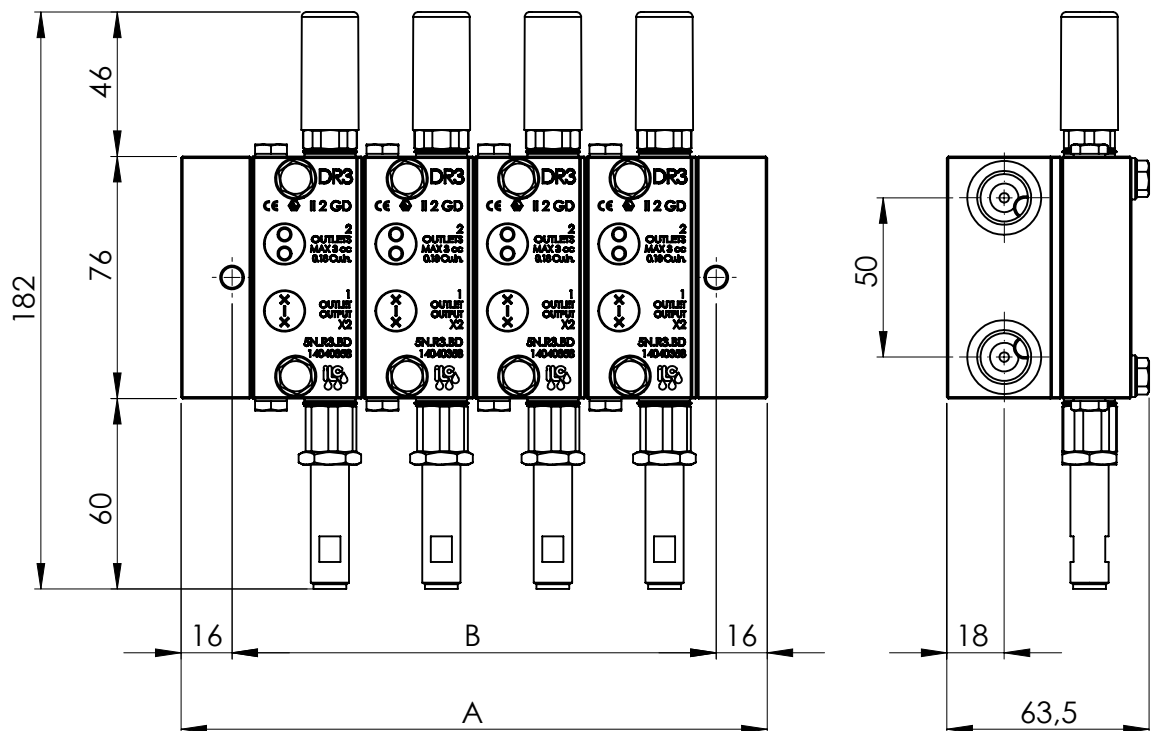
Adjustable discharge 0.15 - 3.0 cc (with inductive sensor)

Steel		SS316.L		Outlets	A	B
BSP	NPTF	BSP	NPTF			
5N.DR3.01.BSP.ICS	5N.DR3.01.NPTF.ICS	5X.DR3.01.BSP.ICS	5X.DR3.01.NPTF.ICS	2	78.5	46.5
5N.DR3.02.BSP.ICS	5N.DR3.02.NPTF.ICS	5X.DR3.02.BSP.ICS	5X.DR3.02.NPTF.ICS	4	113.2	81.2
5N.DR3.03.BSP.ICS	5N.DR3.03.NPTF.ICS	5X.DR3.03.BSP.ICS	5X.DR3.03.NPTF.ICS	6	147.9	115.9
5N.DR3.04.BSP.ICS	5N.DR3.04.NPTF.ICS	5X.DR3.04.BSP.ICS	5X.DR3.04.NPTF.ICS	8	182.6	150.6

DR-5

Adjustable discharge 0.5 - 24.0 cc (with inductive sensor)

Steel		SS316.L		Outlets	A	B
BSP	NPTF	BSP	NPTF			
5N.DR5.01.BSP.ICS	5N.DR5.01.NPTF.ICS	5X.DR5.01.BSP.ICS	5X.DR5.01.NPTF.ICS	2	113	81.2
5N.DR5.02.BSP.ICS	5N.DR5.02.NPTF.ICS	5X.DR5.02.BSP.ICS	5X.DR5.02.NPTF.ICS	4	182,6	150,6
5N.DR5.03.BSP.ICS	5N.DR5.03.NPTF.ICS	5X.DR5.03.BSP.ICS	5X.DR5.03.NPTF.ICS	6	252	220
5N.DR5.04.BSP.ICS	5N.DR5.04.NPTF.ICS	5X.DR5.04.BSP.ICS	5X.DR5.04.NPTF.ICS	8	321.4	289.4



Base



Initial

Outlet	Steel	SS316.L
3/8" BSP	5N.BB.A.BSP	5X.BB.A.BSP
3/8" NPTF	5N.BB.A.NPTF	5X.BB.A.NPTF

DF1-DF3-DR3 base

Outlet	Steel	SS316.L
1/4" BSP	5N.BB.B.BSP	5X.BB.B.BSP
1/4" NPTF	5N.BB.B.NPTF	5X.BB.B.NPTF

DR5 base

Outlet	Steel	SS316.L
1/4" BSP	5N.G.BB.B.BSP	5X.G.BB.B.BSP
1/4" NPTF	5N.G.BB.B.NPTF	5X.G.BB.B.NPTF

End

Inlet	Steel	SS316.L
3/8" BSP	5N.BB.C.BSP	5X.BB.C.BSP
3/8" NPTF	5N.BB.C.NPTF	5X.BB.C.NPTF

Fixing

All metering valves and bases are provided with fixing screws, washers and assembling threaded bushes.

Replacement parts



Regulator cap	Transparent	Aluminium
Line DR-3	A83.120870	A83.120870.A
Line DR-5	A70.093623	A70.093623.A

'O'ring kit	Aluminium
For base	5N.O.RING.B
For valves	5N.O.RING.D