



PEG250N

Electric pumps
for progressive systems



TABLE OF CONTENTS

REV01082018

Applications and operation	3	Electric pump (PEG-250N 24 V DC)	9
Tank	4	Electric pump (PEG-250N MI)	9
Electric motor features	5	Dimensions (PEG-250N 24 V DC)	10
Electric motor 24 V DC	6	Dimensions (PEG-250N MI)	11
Hydraulic motor	6		
PEG-250N electric pump	7		
Overall dimensions (PEG-250N)	8		

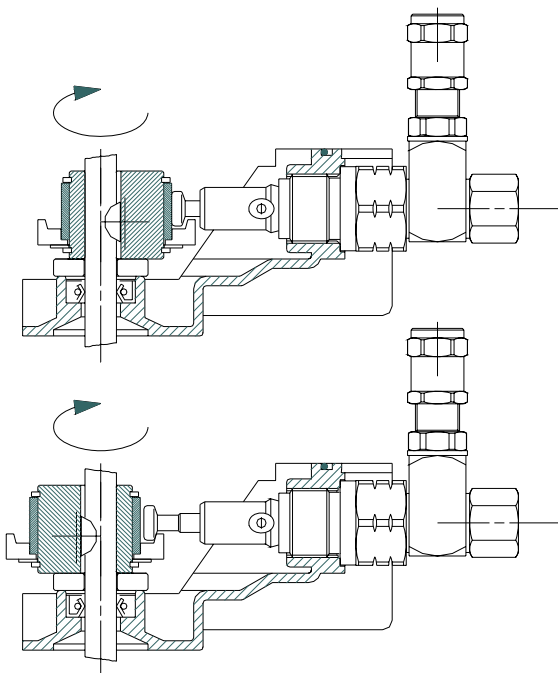
Description

PEG-250N pumps are ideal for automatic lubrication of all types of industrial machines. Used together with the DPL, DPX and DMX progressive dividers, they can lubricate over 300 points with a single pump.

Technical data

Number of outlets	from 1 to 15
Flow rate per cycle with fixed pumping element	0.16 cc / rev
Flow rate per cycle with adjustable pumping element	from 0.01 to 0.16 cc / rev
Suitable lubricants	Grease up to a max consistency of NLGI 2
Maximum operating pressure	350 Bar (5082 PSI)
Tank capacity	25 Kg
Temperature	from -40 °C to +80 °C
Delivery fitting	1 / 4" G
Electric level with float switch (oil)	1.5 A 250 V AC – 200 V DC 50 W resistive load
Electric level with capacitive sensor	10-30 V DC <200 mA max

Operation



PEG pumps were designed for intermittent or continuous operation. Lubrication cycles, according to applications, can be programmed by means of an external PLC.

A gearmotor controls an internal cam that operates up to 15 pumping elements.

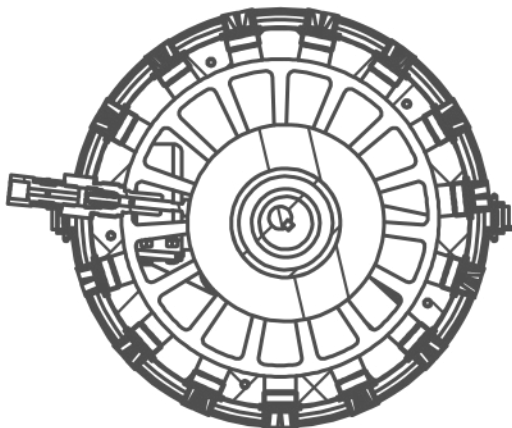
Each pumping element is equipped with an adjustable pressure relief valve capable of protecting the pump and elements from overpressure.

It is possible to convey the flows of a second and third pumping element into a single outlet for a greater flow rate.

Installation

The pumps must be mounted vertically by means of the fixing bracket integrated in the pump body.

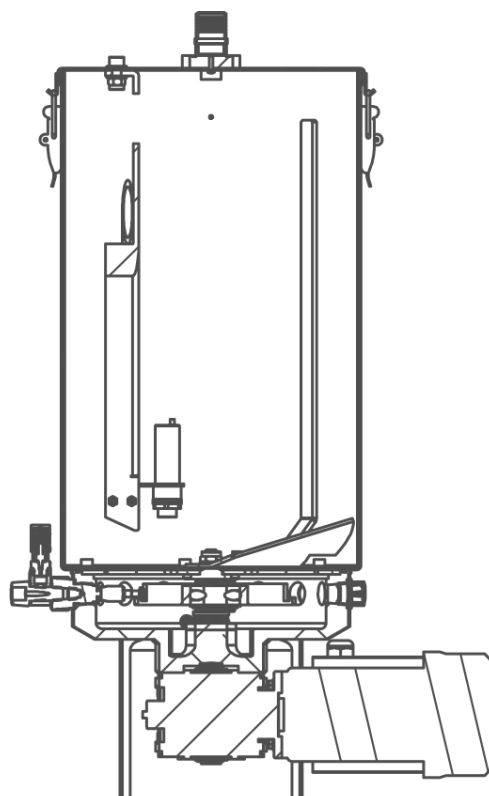
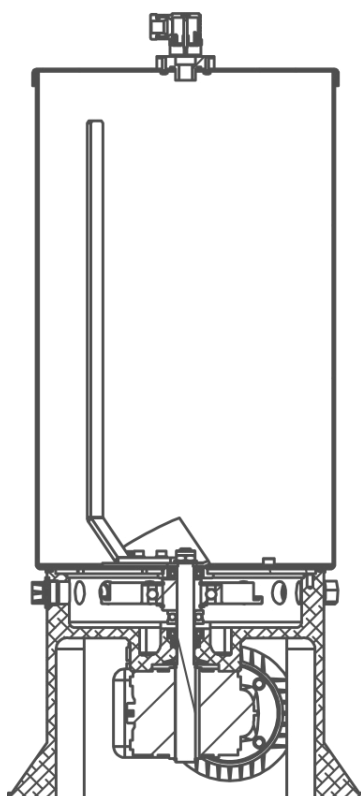
Tank



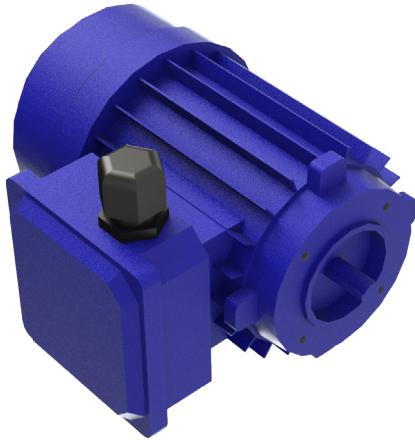
The metal tank has a capacity of 25 Kg. Upon request, it can be provided with the minimum level control.

The pumps can operate at a maximum recommended pressure of 350 bar with a maximum flow rate output of 0.16 cc/revs. The maximum relief valve is regulated at 250 bar.

The internal shaft is coupled to a spatula device in the tank of the pump in order to ensure continuous intake of the pumping elements, also with grease having a consistency of NLGI 2 and an ambient temperature of -40 °C.



PEG250N pump motor



The electric pumps have a standard configuration that has a three-phase motor. Upon request, it is possible to supply single phase motors 115 V AC, 230 V AC 50/60 Hz or motors with special voltages.

For orders with motors of different voltages, add the voltage value to the relative code, for example **90.930.0** becomes **90.930.0.230**.

Three-phase			General features	
Power supply voltage	Frequency	Absorption	Power	0.18 kW
220-240/380-420	50 Hz	1.05-1.22/0.63-0.71 A	Protection rating	IP55
254-280/440-480	60 Hz	1.05-1.22/0.63-0.71 A	Service	Continuous S1
			Insulation	Class F
			Construction shape	B14

The three-phase motor is supplied with a star electric connector

Single-phase		
Power supply voltage	Frequency	Absorption
115 V AC	50/60 Hz	1.49 A
230 V AC	50/60 Hz	2.76 A

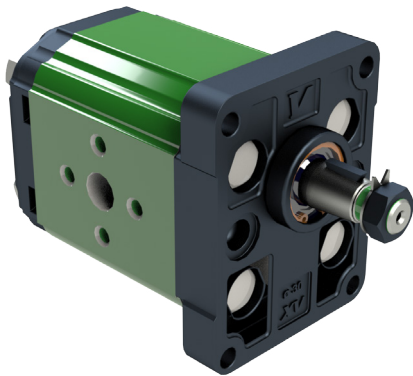
Electric motor 24 V DC



PEG250N series electric pumps can mount a 24 V DC or 12 V DC motor.

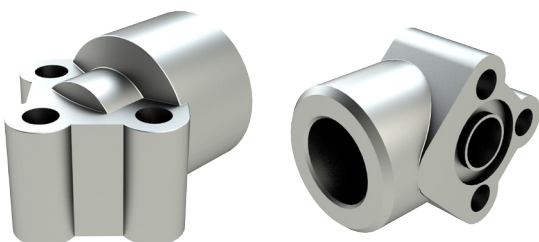
Features	24 V DC
Power	160 W
Absorption	8.3 A
Service	Continuous S1
Insulation	Class F
Protection rating	IP54
Rpm	1500

Hydraulic motor



PEG-250N series electric pumps can be equipped with a hydraulic motor.

Features	
MAX inlet pressure	250 Bar
MIN inlet pressure	10 Bar
MAX continuous back pressure	6 Bar
MAX peak inlet pressure	300 Bar
Speed	from 700 to 5000 rpm
Flow rate per rev	6.5 cc
Minimum flow rate	4.5 L/min.
Maximum flow rate	32.5 L/min.
Displacement	6.50 cc/rev
Torque (theoretic) at 100 bar	8.79 Nm
Power	0.92 kW



90° aluminium fittings of 3/8". **Order 2 fittings** for each pump. The fittings are complete with M6x20 screws and O-rings.

Code A92.106424

PEG-250N

standard motor



PEG-250N is an electric pump for grease equipped with a 25 kg metal tank.

The standard version is supplied with a single outlet. Additional pumping elements must be ordered separately.

The standard pump is supplied with a three-phase motor.

with electric level

Order code	Reduction ratio	Cycles /1' 50Hz	Cycles /1' 60Hz	Flow rate adjustable
90.930.0	1-30	46	55	no
90.930.1	1-50	28	33	no
90.930.2	1-80	17	20	no
90.930.3	1-30	46	55	yes
90.930.4	1-80	17	20	yes

without electric level

Order code	Reduction ratio	Cycles /1' 50Hz	Cycles /1' 60Hz	Flow rate adjustable
90.930.0.SL	1-30	46	55	no
90.930.1.SL	1-50	28	33	no
90.930.2.SL	1-80	17	20	no
90.930.3.SL	1-30	46	55	yes
90.930.4.SL	1-80	17	20	yes

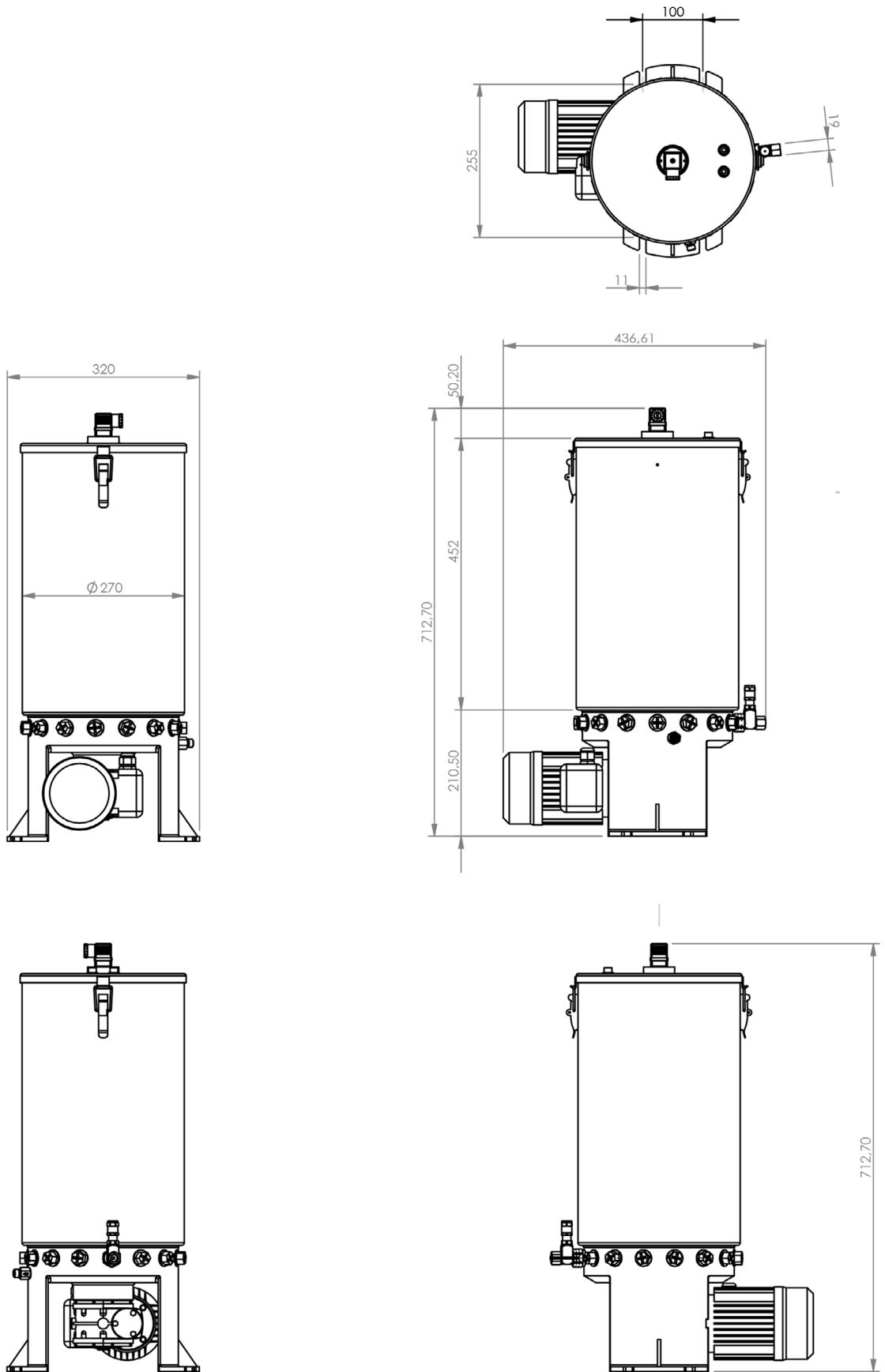
with minimum and maximum electric level

Order code	Reduction ratio	Cycles /1' 50Hz	Cycles /1' 60Hz	Flow rate adjustable
90.930.0.HL	1-30	46	55	no
90.930.1.HL	1-50	28	33	no
90.930.2.HL	1-80	17	20	no
90.930.3.HL	1-30	46	55	yes
90.930.4.HL	1-80	17	20	yes

**Any variations in the price due to the use of different motors than standard must be requested directly from ILC.*

Overall dimensions (PEG-250N)

REV01082018



PEG-250N 24V DC

24 V DC motor



PEG-250N 24V is an electric pump for grease equipped with a 25 kg metal tank and 24 V DC electric motor.

The standard version is supplied with a single outlet. Additional pumping elements must be ordered separately.

Order code	Reduction ratio	Electric level
90.930.0.24	1-50	minimum
90.930.0.24.SL	1-50	none
90.930.0.24.HL	1-50	minimum and maximum

PEG-250N-MI

hydraulic motor



PEG-250N-MI is an electric pump for grease equipped with a 25 kg metal tank and hydraulic motor.

The standard version is supplied with a single outlet. Additional pumping elements must be ordered separately.

Order code	Reduction ratio	Pumping
90.931.1	1-50	fixed
90.931.2	1-50	adjustable

