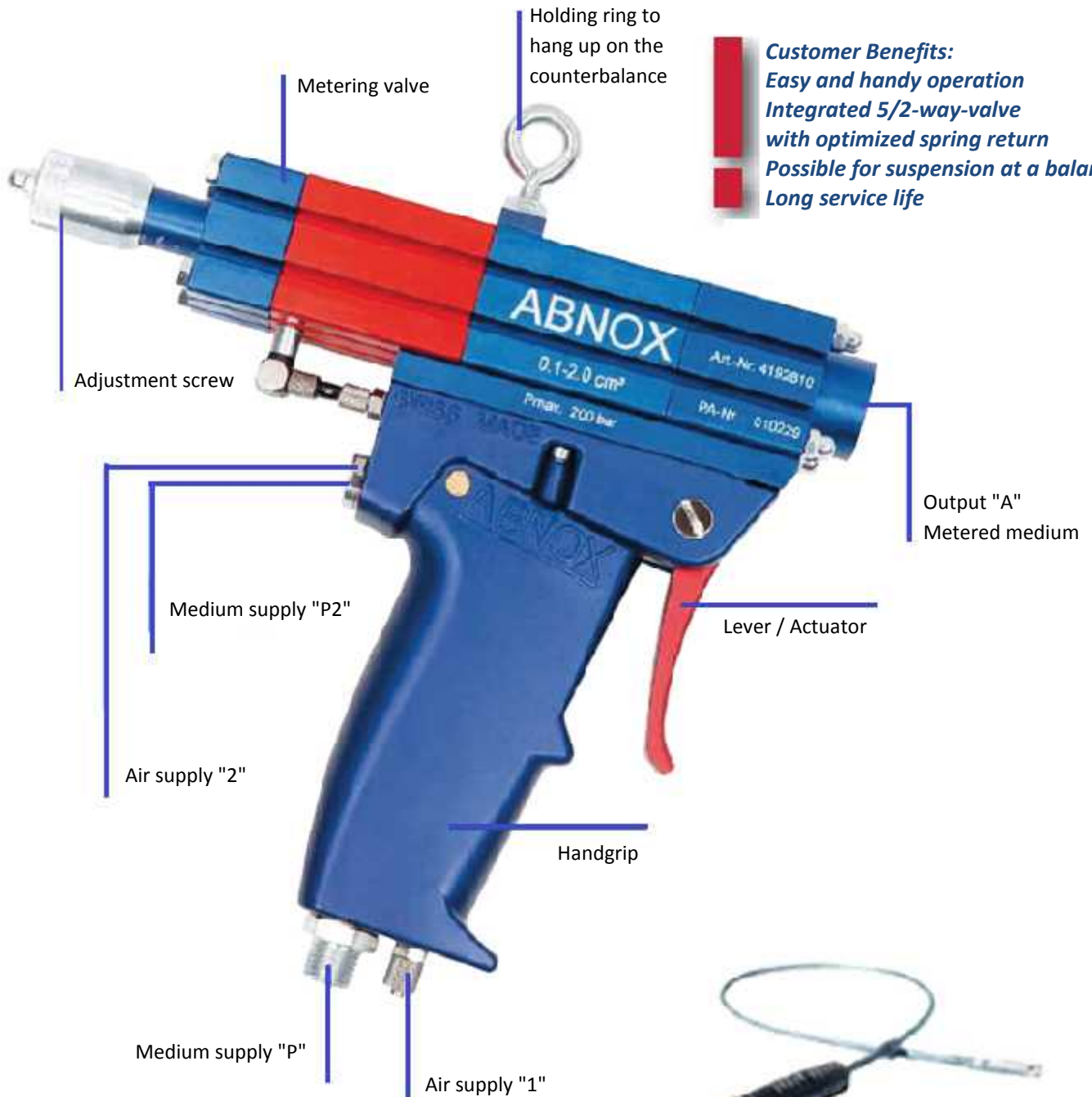


Metering Valves with Horizontal Handgrip **HG**



Customer Benefits:
Easy and handy operation
Integrated 5/2-way-valve with optimized spring return
Possible for suspension at a balance
Long service life



Magnetic Field Sensor

ABNOX Metering Valves with handgrip are suitable for assembly lines with manual operation.

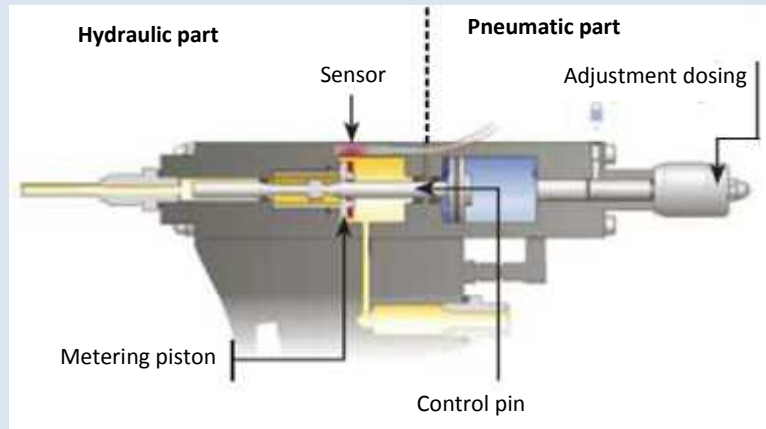
This ABNOX Metering Valves series equipped with the ergonomic handle is especially suited for easy and handy operation of the Metering Valve at installation sites. The valve lies well in the hand and is very user-friendly.

The connection for the material supply and for the air supply can be used optionally at the drag or at the backside of the handgrip. This innovation makes the handgrip multifunctional. Handling of this Metering Valve may be further facilitated by using counterbalance suspended directly above the assembly area.

The Metering Valve with handgrip is available in different dispensing ranges (volumetric dosage). The metering tolerance is maintained to better than +/- 2% in the middle range of dosage volume.

With the Standard nozzles ABNOX Ltd. constructs specific customised application nozzles which can be directly screwed to metering valve.

Function



The dosage chamber inlet and outlet are alternatively shut and opened by means of a pin valve with pneumatic control. The dosage chamber volume is continuously adjustable by a lockable screw adjustment.

The medium is ejected by means of the feeder pump pressure. The use of modern sealing components ensures long lifetime of the metering valve even with high input pressures up to 200 bar and also when used with grease containing solid particles.

Metering Valve with Sensor

(control in the hydraulic part)

The position magnetic field sensor detects the motion (the end position) of the metering piston and, consequently, the ejection of the lubricant.

Its output signal confirms the completion of the lubricant transfer. A missing signal indicates lack of lubricant flow, or other failure.

Watch the demo video on www.abnox.com

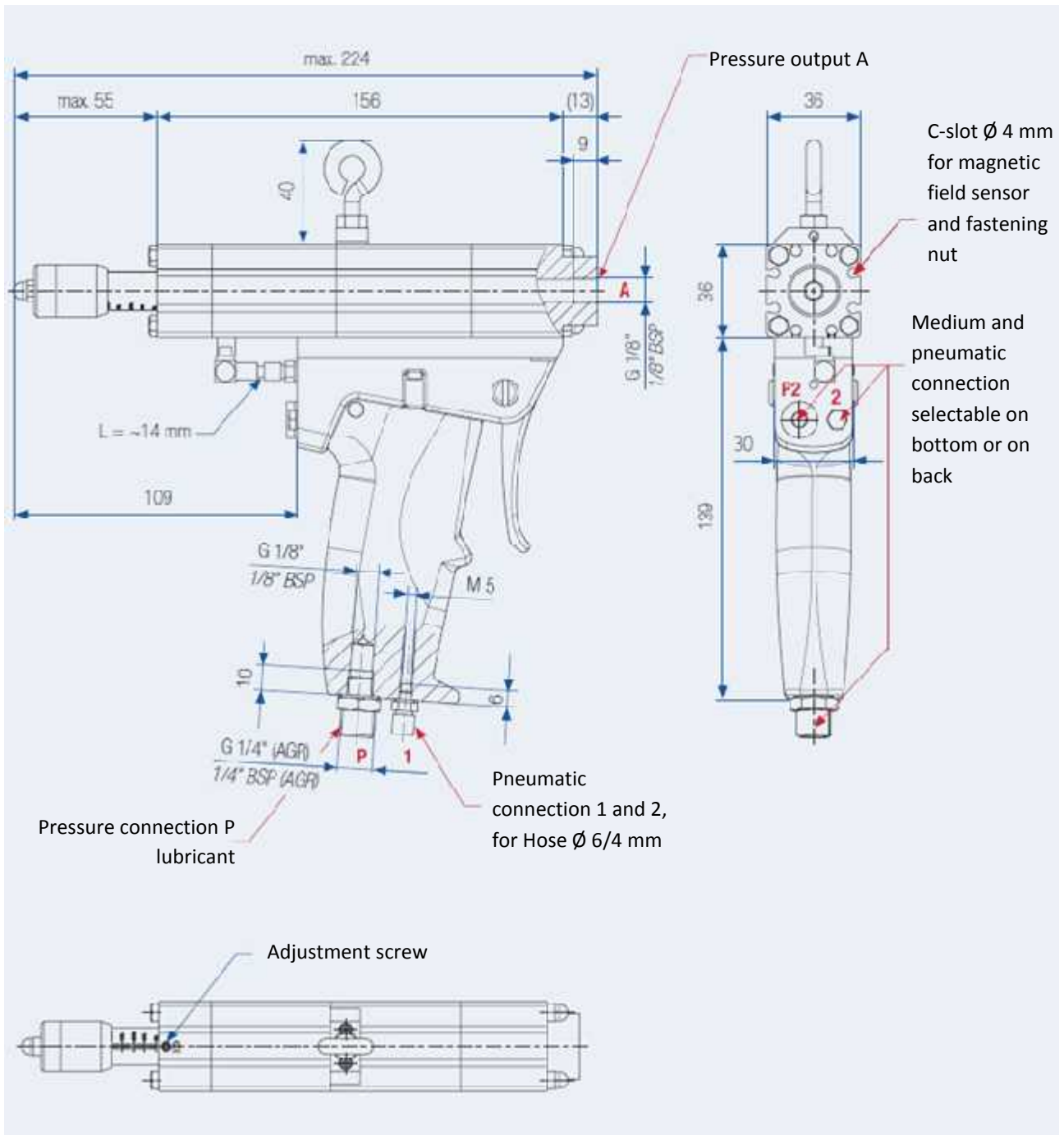
Metering Valves with Horizontal Handgrip

HG



	4192811	4192911
<i>Model</i>	AXDV-C3-HG	AXDV-C4-HG
Dispensing range	0.1 – 2.0 cm³	1.0 – 6.0 cm³
<i>Weight (kg)</i>	1.276	1.276
<i>Connection (Lubricant) internal thread P / P2</i>	1/8" BSP	1/8" BSP
<i>Connection (Lubricant) external thread P / P2</i>	1/4" BSP	1/4" BSP
<i>Connection (compressed air) internal thread 1 and 2</i>	M5 for hose ø 6/4	M5 for hose ø 6/4
<i>Pressure output internal thread A</i>	1/8" BSP	1/8" BSP
<i>Fastening thread (Holding ring)</i>	M6	M6
<i>Min./Max. inlet operating pressure (Lubricant) [bar]</i>	20/200	20/200
<i>Min. operating air pressure [bar]</i>	5.0	5.0
<i>Optimum operating air pressure [bar]</i>	6.0	6.0
<i>Max. operating air pressure [bar]</i>	7.0	7.0
<i>Specification for operation medium</i>	Lubricants up to NLGI 3/max. 1'000'000m Pa.s	

All technical data and pictures are for information only and without responsibility. All design is subject to change without notice.



You'll find the spare parts list and sketch on Abnox web site: www.abnox.com