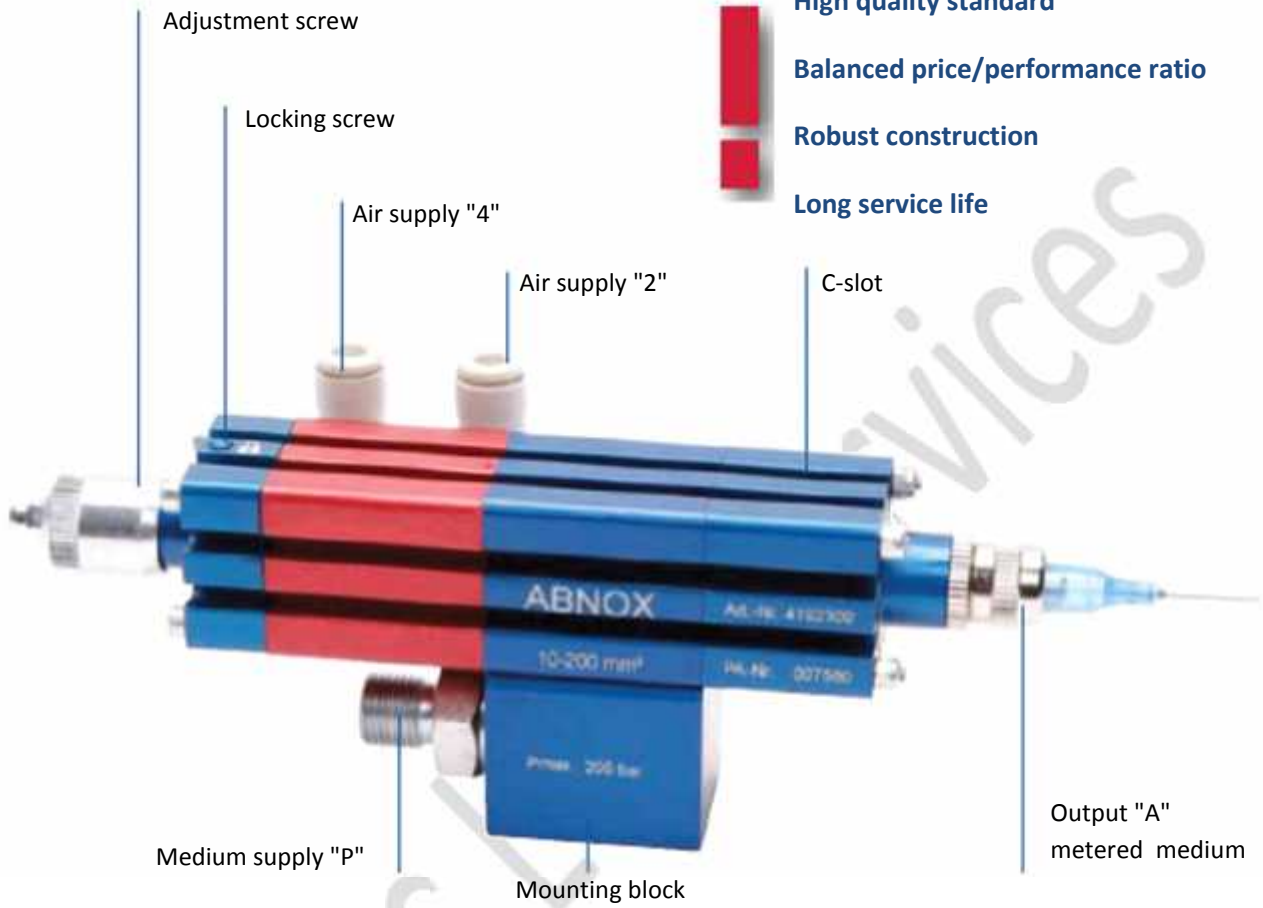


Metering Valves with Mounting Block

Customer Benefits:

- High quality standard
- Balanced price/performance ratio
- Robust construction
- Long service life



0001220
Magnetic Field Sensor

ABNOX Metering Valve with mounting block for simple and clean handling due to low weight and compact design.

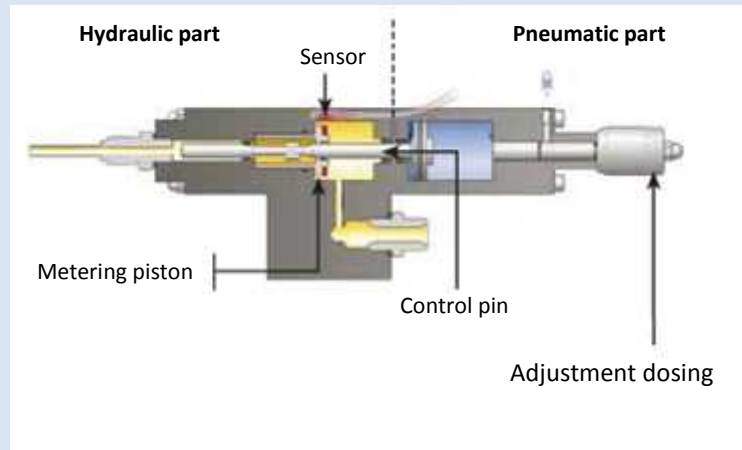
ABNOX volumetric Metering Valve with mounting block comprises an adjustable dosage chamber for the medium and an integrated pneumatic cylinder serving as actuator.

The Metering Valve is controlled by means of a 5/2-way-valve. The dosage chamber inlet and outlet are alternatively shut and opened by means of a pin valve with pneumatic control.

The dosage chamber volume is continuously adjustable by a screw adjustment. The metering tolerance is maintained to better than +/- 2% in the middle range of dosage volume.

The Metering Valve with mounting block is available in different dispensing ranges. With the standard nozzles ABNOX Ltd. Constructs specific customised application nozzles which can be directly screwed to metering valve.

Function



The dosage chamber inlet and outlet are alternatively shut and opened by means of a pin valve with pneumatic control. The dosage chamber volume is continuously adjustable by a lockable screw adjustment.

The medium is ejected by means of the feeder pump pressure. The use of modern sealing components ensures long lifetime of the metering valve even with high input pressures up to 200 bar and also when used with grease containing solid particles.

Metering Valve with Sensor

(control in the hydraulic part)

The position magnetic field sensor detects the motion (the end position) of the metering piston and, consequently, the ejection of the lubricant. Its output signal confirms the completion of the lubricant transfer. A missing signal indicates lack of lubricant flow, or other failure.

Watch the demonstration video at www.abnox.com

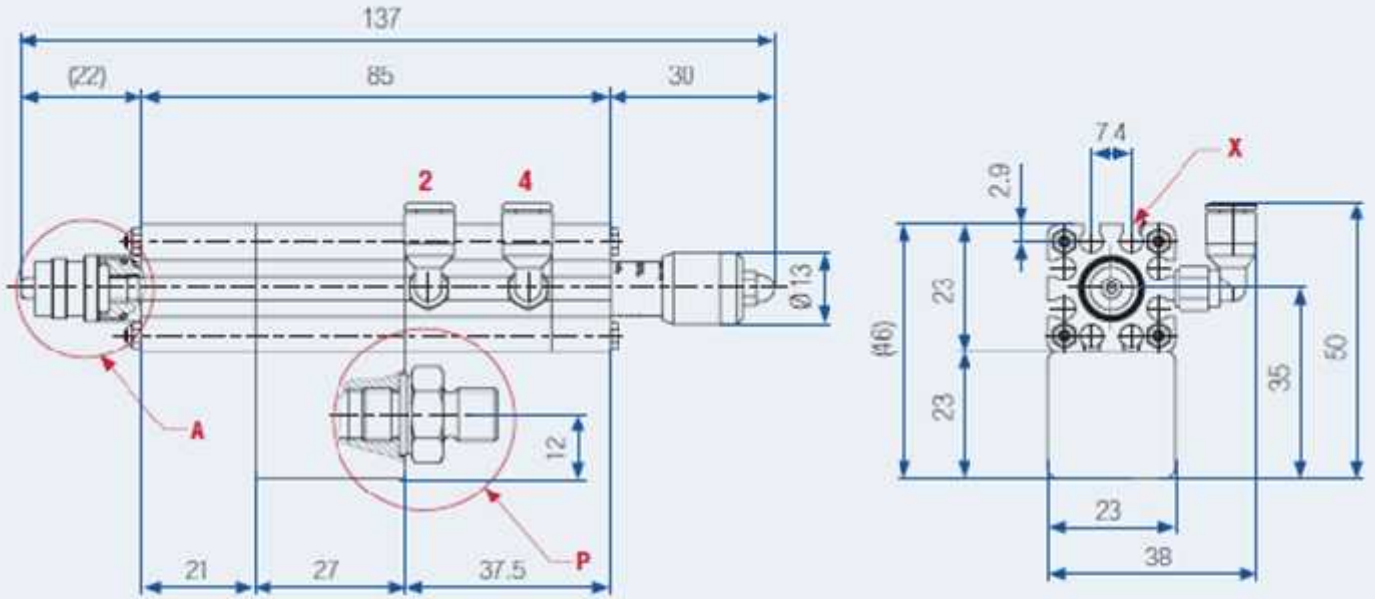
Metering Valves with Mounting Block



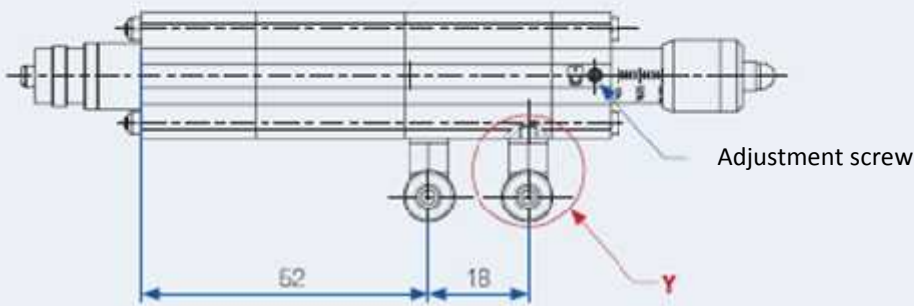
	4191801	4192301	4192801	4192901
<i>Model</i>	AXDV-C1	AXDV-C2	AXDV-C3	AXDV-C4
Dispensing range	1 – 20 mm³	10 – 200 mm³	0.1 – 2.0 cm³	1.0 – 6.0 cm³
<i>Weight (kg)</i>	0.17	0.17	0.73	0.80
<i>Connection (Lubricant) internal thread P</i>	1/8" BSP	1/8" BSP	1/4" BSP	1/4" BSP
<i>Connection (Lubricant) external thread P</i>	1/8" BSP	1/8" BSP	1/4" BSP	1/4" BSP
<i>Connection (compressed air) internal thread 2 and 4</i>	M2.5 for hose ø 4/2		M2.5 for hose ø 4/2	
<i>Pressure output internal thread A</i>	M5* *incl. metering needle adapter	M5*	1/8" BSP	1/8" BSP
<i>Fastening thread</i>	M4	M4	M4	M4
<i>Min./Max. inlet operating pressure (Lubricant) [bar]</i>	20/200	20/200	20/200	20/200
<i>Min. operating air pressure [bar]</i>	5.0	5.0	5.0	5.0
<i>Optimum operating air pressure [bar]</i>	6.0	6.0	6.0	6.0
<i>Max. operating air pressure [bar]</i>	7.0	7.0	7.0	7.0
<i>Specification for operation medium</i>	Lubricants up to NLGI 3 / max. 1'000'000 m Pa.s			

All technical data and pictures are for information only and without responsibility. All design is subject to change without notice.

4191801 / 4192301



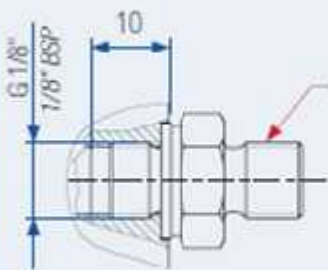
X
C-slot $\varnothing 4$ mm for magnetic field sensor and fastening nut



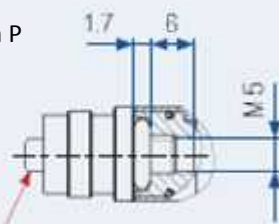
P

A

Y



Pressure connection P lubricant 1/8" BSP (AGR)



Pressure output A metering needle

Pneum. connection 2 and 4 $\varnothing 4/2$ mm



You'll find the spare parts list and sketch on Abnox web site: www.abnox.com

Metering valve systems

Metering valve AXDV - -

Type

- = Mounting block
- = Handle with PEN (only for C1 and C2)
- = Handle horizontal (only for C3 and C4)
- = Handle vertical (only for C3 and C4)

Dosiervolumen

- = 1 to 20 mm³
- = 10 to 200 mm³
- = 100 to 2 000 mm³ (0,1 to 2,0 cm³)
- = 1 000 to 6 000 mm³ (1,0 to 6,0 cm³)

Valve type C-slot

001220

Magnetic Field Sensor

The electronic position switch (Magnetic Field Sensor with Connector M8x1) is available as accessory. It may be attached to the grooves of the metering valve by means of an attachment screw in a continuously variable position.

Furthermore, the operation display (LED) indicates the loading and dose position of the grease piston.

Technical Data Sensor

Switching output:	Switching	PNP
function:		NO
Operating Voltage:		24 DC V
Operating Current (I _e):		100 mA
Degree of protection:		IP67

