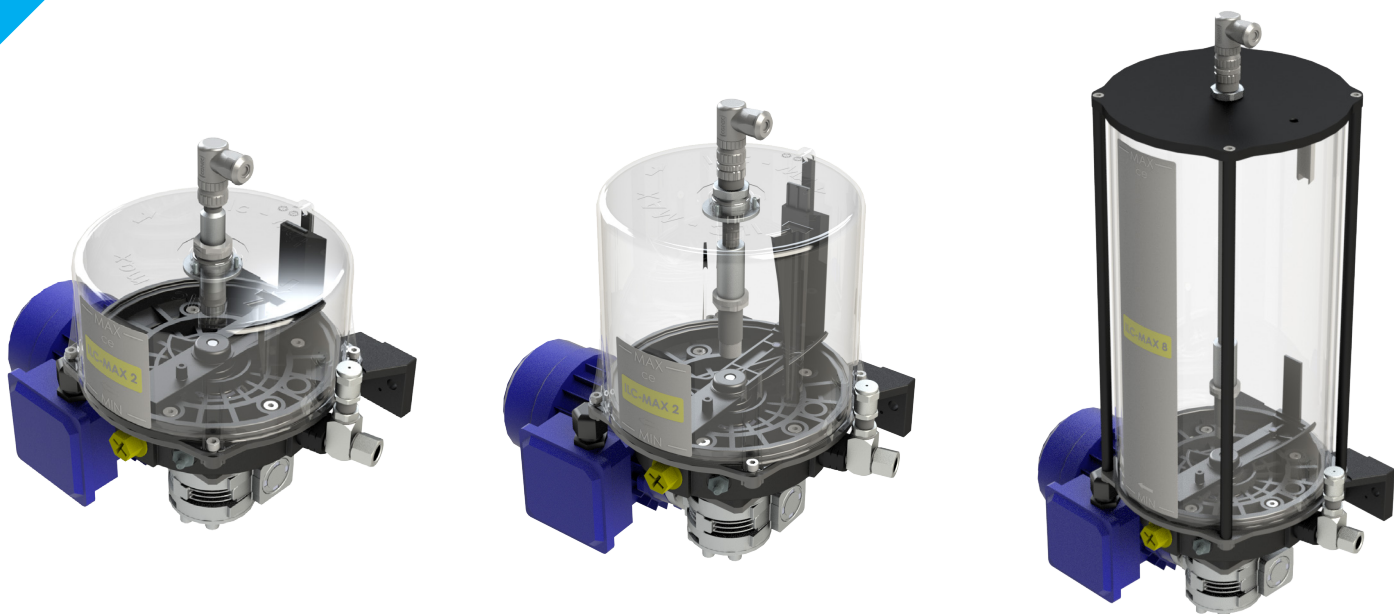


lubrication systems



# PEGPEO 520-540-580

Electropumps  
for progressive systems



Applications and description	3	Electropump PEO-520	13
Technical data	4	Dimensions (PEO-520)	14
Reservoir	5	Electropump PEO-540	15
Electric motor	6	Dimensions (PEO-540)	16
Electropump PEG-520	7	Electropump PEO-580	17
Dimensions (PEG-520)	8	Dimensions (PEO-580)	18
Electropump PEG-540	9	Fixed pumping element	19
Dimensions (PEG-540)	10	Accessories	19
Electropump PEG-580	11	Adjustable pumping element	23
Dimensions (PEG-580)	12	Accessories	19

## Description

PEG/PEO 520/540/580 are ideal for automatic lubrication of any kind of industrial systems. Along with progressive dividers DPL, DPX e DMX, they can lubricate more than 300 points using a single pump.

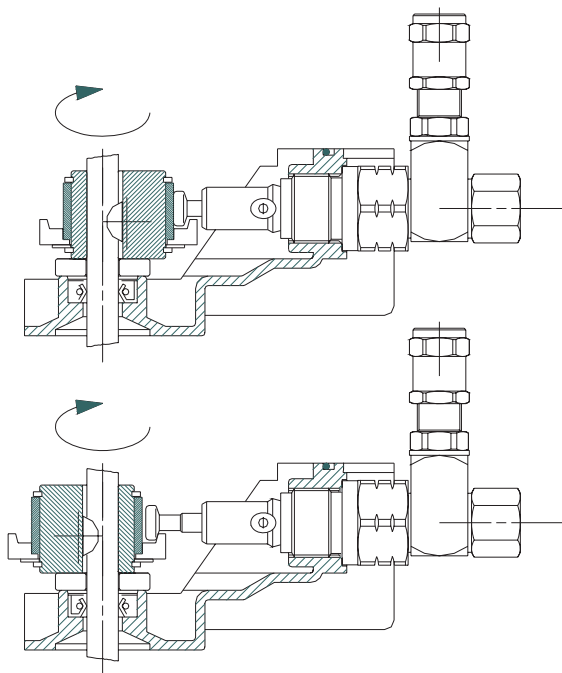
## Technical data

Number of outlets	from 1 to 3
Discharge for cycle (fixed discharge pump)	0.16 cc
Discharge for cycle (adjustable discharge pump)	0.01 - 0.16 cc
Lubricant	Greases up to NLGI 2 max consistency Mineral Oils 50-1500 cSt
Max working pressure	350 Bar
Reservoir capacity	2 kg, 4 kg or 8 kg
Temperature	from -40 °C to +80 °C
Discharge port	1 / 4" G
Float switch electrical level (grease)	1.5 A 250 V AC – 200 V DC 50 W resistive load

## Capacitive sensor electrical levels (for grease)

Supply voltage	da 10 a 30 V DC (Ripple incluso)
Ripple	=<10%
Load current	=>300 mA
Absorption	=< 12 mA
Voltage drop	=< 2.8 V DC al carico Max
Electrical protection	inversione di polarità e corto circuito
Activation frequency	25 Hz
Contact	"NO"
Temperature	da -25° C a + 70° C
Protection degree	IP 67 (Nema 1,3,4,6,13)
Cable	2 m, 3x0.25 mm <sup>2</sup> , PVC grigio antiolio
Approvals	UL / CSA (su richiesta)
Marking (CE)	yes

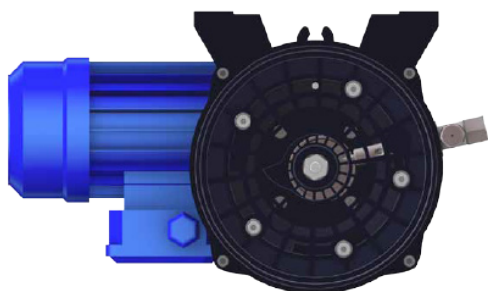
Operation



PEG-PEO pumps are designed for intermittent or continuous operation. Using an external PLC, lubrication cycles can be programmed for specific applications.

A gearmotor controls an internal cam which operates on 3 externally mounted pumping elements. Each pumping element is equipped with an adjustable maximum pressure valve able to protect the pump and the elements from overpressures.

It is possible to convey the flow rates of a second and a third piston to a single output for a greater flow.

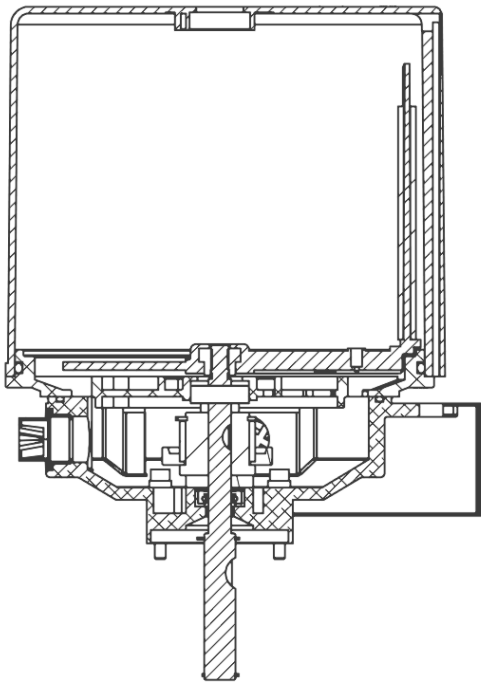


Installation

The pumps must be mounted vertically through the mounting bracket integrated in the pump body.



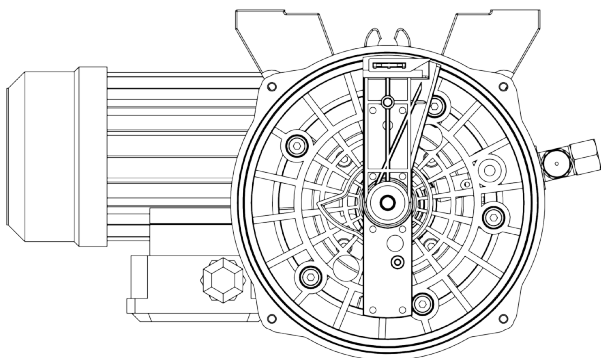
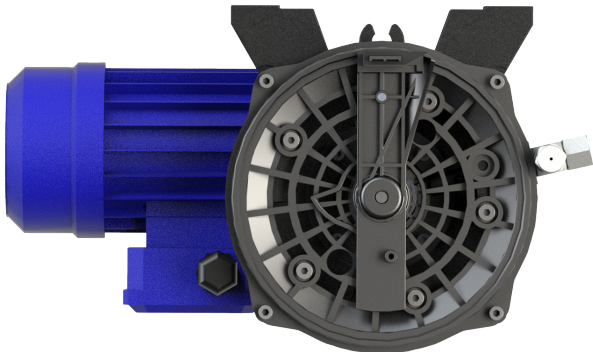
## Reservoir



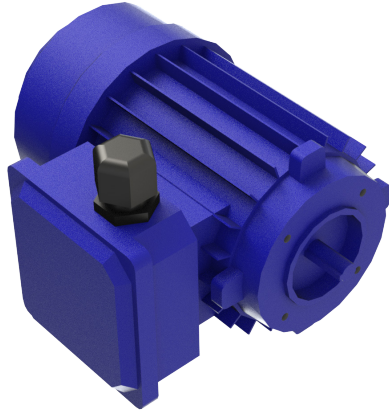
The tank is made of transparent plastic material. It has a capacity of 2 KG, 4 KG or 8 KG and can be equipped with on-demand control of the minimum level.

Pumps can operate at a recommended maximum pressure of 350 bar with a maximum flow rate of 0.16 cc / minute per output. The standard setting is 250 bar.

The internal shaft is coupled to the pump reservoir with a special spatula to ensure the continuous suction of the pumping elements, even in the presence of grease with a NLGI 2 consistency and a room temperature of less than 40 °C.



Motor



The PEG series electric pumps have a standard configuration that includes a three-phase engine.

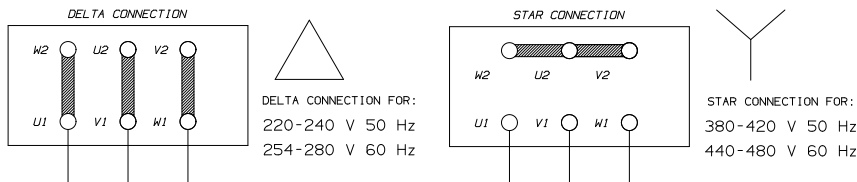
115 V AC, 230 V AC 50/60 Hz or special voltages motors are available on request.

Three-phase

Technical data

Supply voltage	Frequency	Absorption
220-240/380-420	50 Hz	0.64-0.74/0.37-0.46 A
254-280/440-480	60 Hz	0.64-0.74/0.37-0.46 A

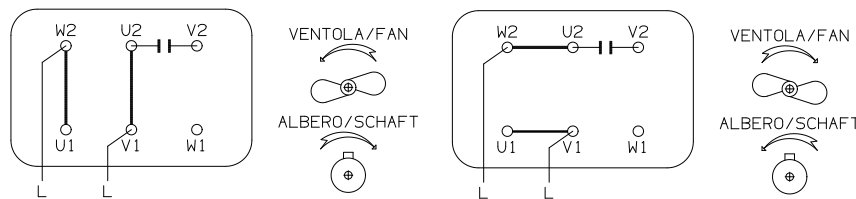
Power	90 W
Protection degree	IP55
Service	Continuous S1
Insulation	Class F
Motor design	B14
Size	Mec56



*Il motore trifase è fornito con connettore elettrico a stella*

Single-phase

Supply voltage	Frequency	Absorption
115 V AC	50/60 Hz	2.2 A
230 V AC	50/60 Hz	0.9 A



PEG-520



PEG-520 is pump for grease with a 2 kg transparent reservoir.

The standard version comes with a single output, additional pumping elements will have to be ordered separately.

For orders with single-phase 115 V AC motors or with other voltages, replace the voltage value in the corresponding code, eg **41.2.380VR80CG** (three-phase) becomes **41.2.115VR80CG** (115 V AC single phase) \*.

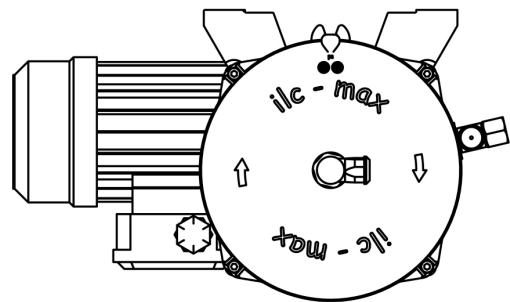
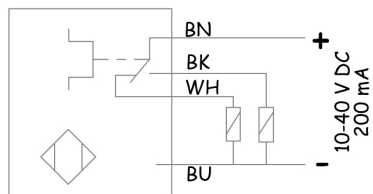
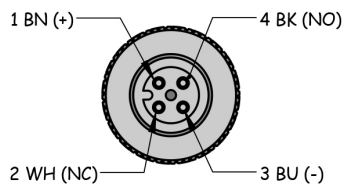
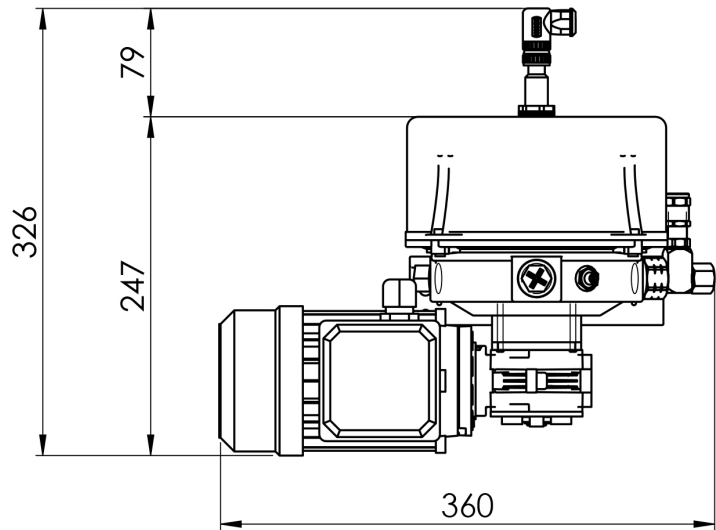
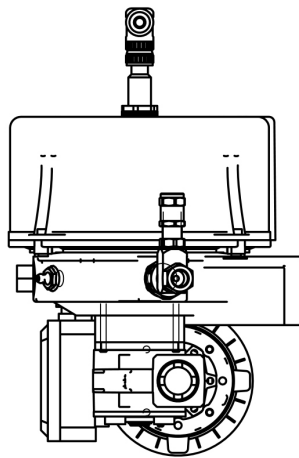
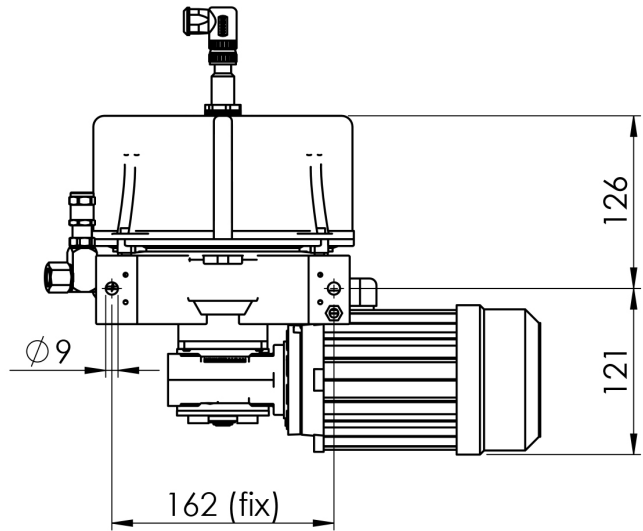
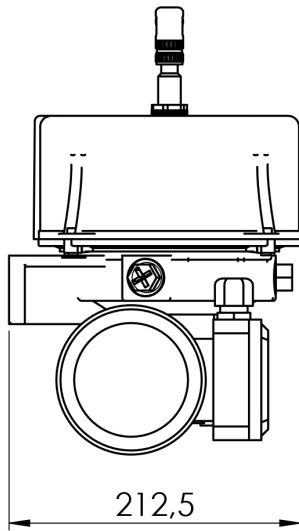
without electric level indicator

Ordering code	Transmission ratio	Cycles /1' 50Hz	Cycles /1' 60Hz	Adjustable discharge
41.2.380VF300G	1-30	46	55	no
41.2.380VF500G	1-50	28	33	no
41.2.380VF800G	1-80	17	20	no
41.2.380VR300G	1-30	46	55	si
41.2.380VR800G	1-80	17	33	si

with electric level indicator

Ordering code	Transmission ratio	Cycles /1' 50Hz	Cycles /1' 60Hz	Adjustable discharge
41.2.380VF30CG	1-30	46	55	no
41.2.380VF50CG	1-50	28	33	no
41.2.380VF80CG	1-80	17	20	no
41.2.380VR30CG	1-30	46	55	si
41.2.380VR80CG	1-80	17	33	si

*\* Any cost variation due to the use of engines other than the standard must be requested directly to ILC.*





PEG-540



PEG-540 is pump for grease with a 4 kg transparent reservoir.

The standard version comes with a single output, additional pumping elements will have to be ordered separately.

For orders with single-phase 115 V AC motors or with other voltages, replace the voltage value in the corresponding code, eg **41.4.380VR80CG** (three-phase) becomes **41.4.115VR-80CG** (115 V AC single phase) \*.

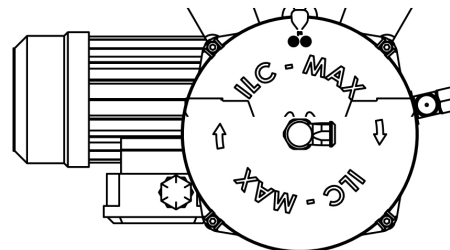
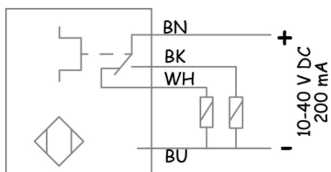
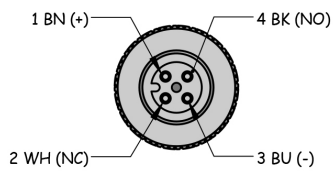
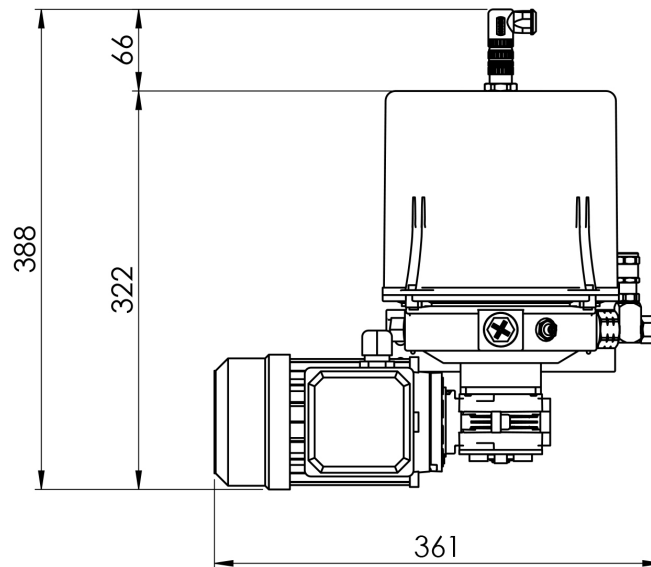
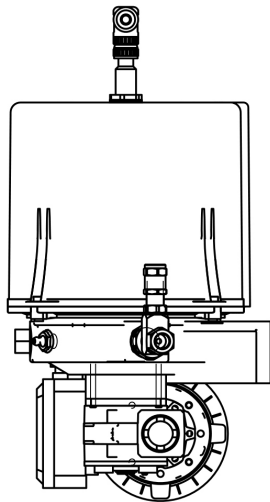
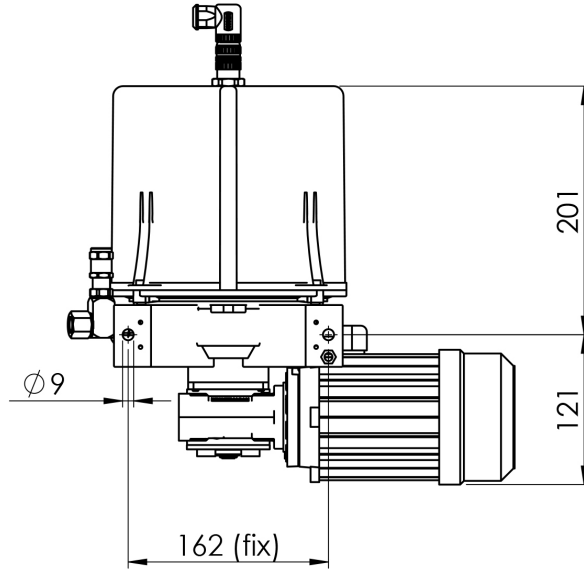
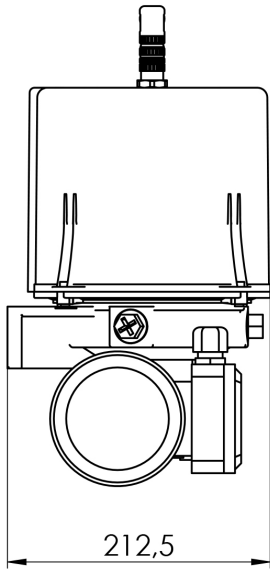
without electric level indicator

Ordering code	Transmission ratio	Cycles /1' 50Hz	Cycles /1' 60Hz	Adjustable discharge
41.4.380VF300G	1-30	46	55	no
41.4.380VF500G	1-50	28	33	no
41.4.380VF800G	1-80	17	20	no
41.4.380VR300G	1-30	46	55	si
41.4.380VR800G	1-80	17	33	si

with electric level indicator

Ordering code	Transmission ratio	Cycles /1' 50Hz	Cycles /1' 60Hz	Adjustable discharge
41.4.380VF30CG	1-30	46	55	no
41.4.380VF50CG	1-50	28	33	no
41.4.380VF80CG	1-80	17	20	no
41.4.380VR30CG	1-30	46	55	si
41.4.380VR80CG	1-80	17	33	si

*\* Any cost variation due to the use of engines other than the standard must be requested directly to ILC.*



PEG-580



PEG-580 is pump for grease with a 8 kg transparent reservoir.

The standard version comes with a single output, additional pumping elements will have to be ordered separately.

For orders with single-phase 115 V AC motors or with other voltages, replace the voltage value in the corresponding code, eg **41.8.380VR80CG** (three-phase) becomes **41.8.115VR-80CG** (115 V AC single phase) \*.

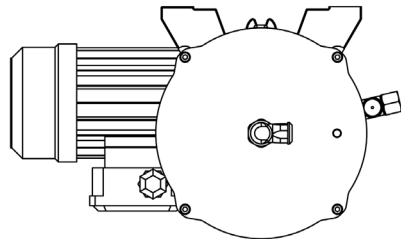
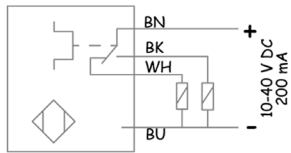
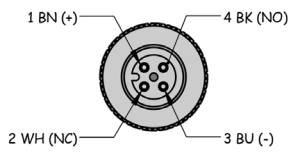
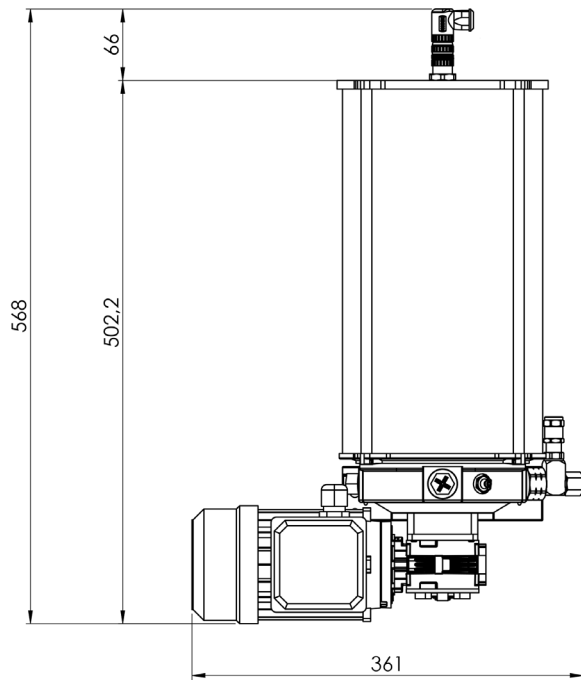
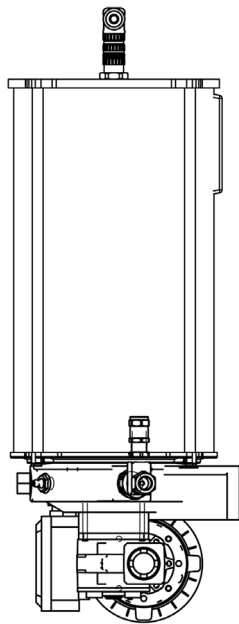
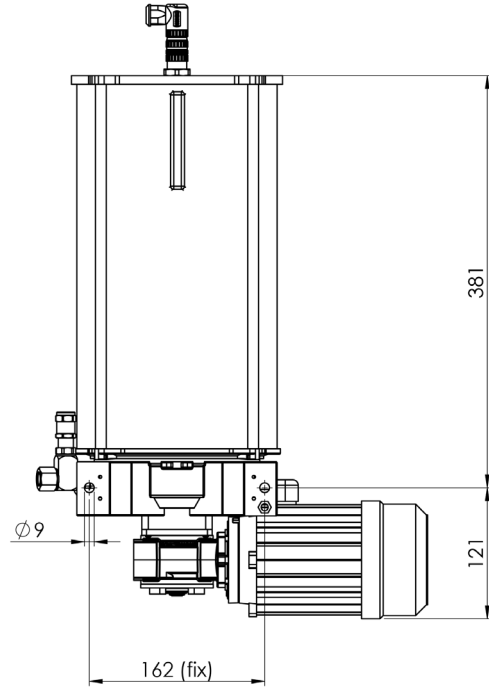
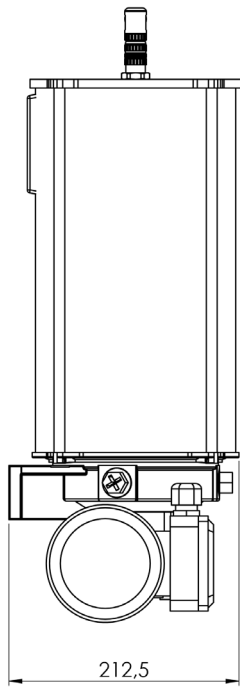
without electric level indicator

Ordering code	Transmission ratio	Cycles /1' 50Hz	Cycles /1' 60Hz	Adjustable discharge
41.8.380VF300G	1-30	46	55	no
41.8.380VF500G	1-50	28	33	no
41.8.380VF800G	1-80	17	20	no
41.8.380VR300G	1-30	46	55	si
41.8.380VR800G	1-80	17	33	si

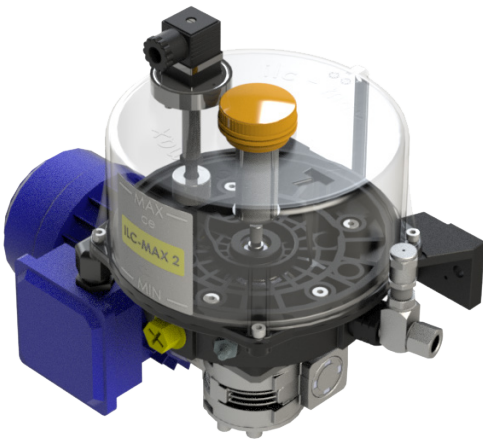
with electric level indicator

Ordering code	Transmission ratio	Cycles /1' 50Hz	Cycles /1' 60Hz	Adjustable discharge
41.8.380VF30CG	1-30	46	55	no
41.8.380VF50CG	1-50	28	33	no
41.8.380VF80CG	1-80	17	20	no
41.8.380VR30CG	1-30	46	55	si
41.8.380VR80CG	1-80	17	33	si

\* Any cost variation due to the use of engines other than the standard must be requested directly to ILC.



## PEO-520



PEO-520 is an oil pump with a 2 kg transparent reservoir.

The standard version comes with a single output, additional pumping elements will have to be ordered separately.

For orders with single-phase 115 V AC motors or other voltages, replace the voltage value in the relevant code, eg **41.2.380VR80CO** (three-phase) becomes **41.2.115VR80CO** (115 V AC single phase) \*.

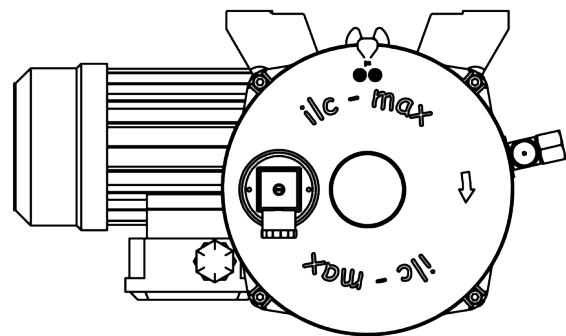
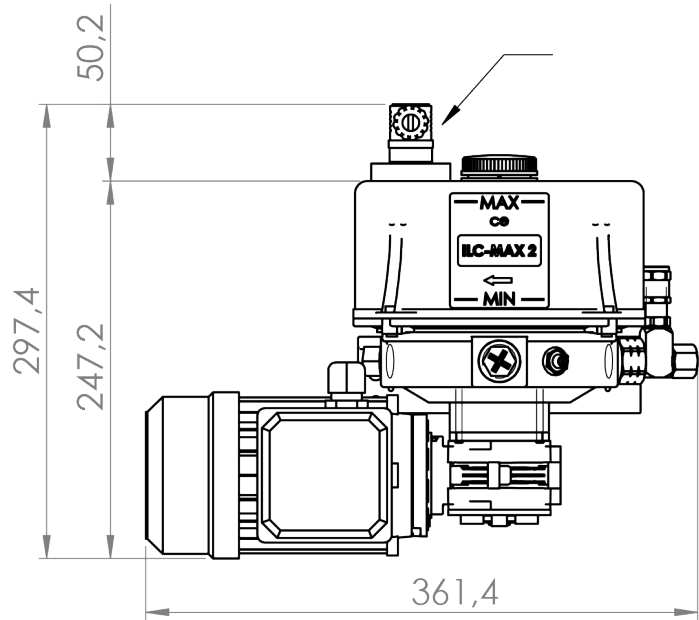
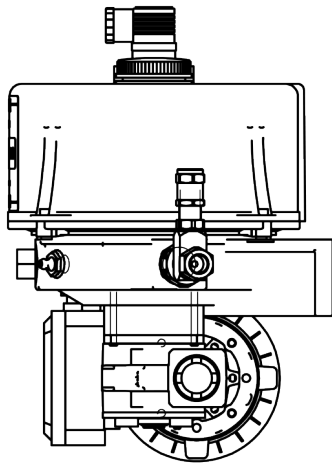
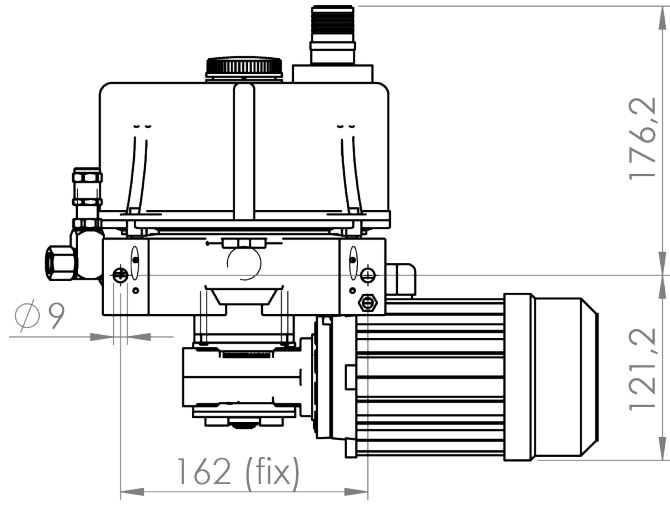
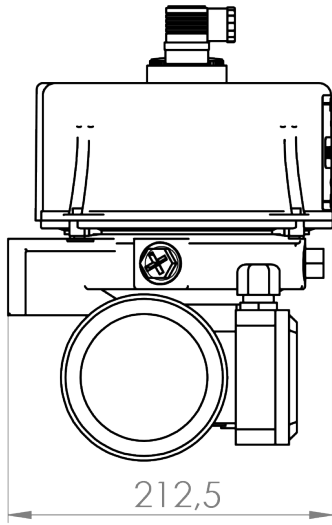
## without electric level indicator

Ordering code	Transmission ratio	Cycles /1' 50Hz	Cycles /1' 60Hz	Adjustable discharge
41.2.380VF300O	1-30	46	55	no
41.2.380VF500O	1-50	28	33	no
41.2.380VF800O	1-80	17	20	no
41.2.380VR300O	1-30	46	55	si
41.2.380VR800O	1-80	17	33	si

## with electric level indicator

Ordering code	Transmission ratio	Cycles /1' 50Hz	Cycles /1' 60Hz	Adjustable discharge
41.2.380VF30LO	1-30	46	55	no
41.2.380VF50LO	1-50	28	33	no
41.2.380VF80LO	1-80	17	20	no
41.2.380VR30LO	1-30	46	55	si
41.2.380VR80LO	1-80	17	33	si

\* Any cost variation due to the use of engines other than the standard must be requested directly to ILC.



## PEO-540



PEO-540 is an oil pump with a 4 kg transparent reservoir.

The standard version comes with a single output, additional pumping elements will have to be ordered separately.

For orders with single-phase 115 V AC motors or other voltages, replace the voltage value in the relevant code, eg **41.4.380VR80CO** (three-phase) becomes **41.4.115VR80CO** (115 V AC single phase) \*.

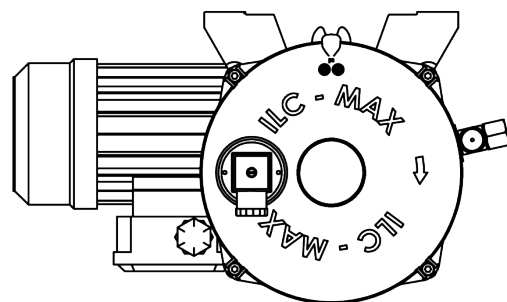
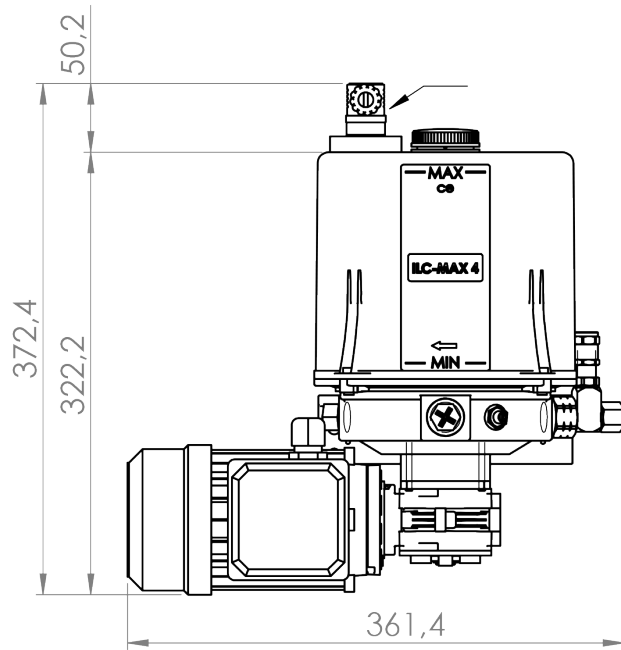
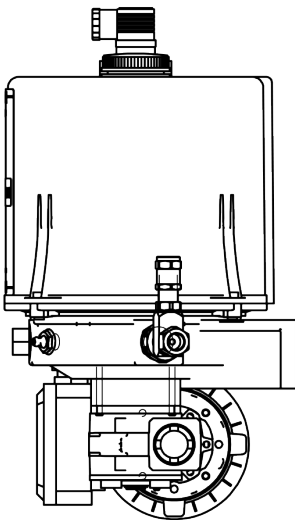
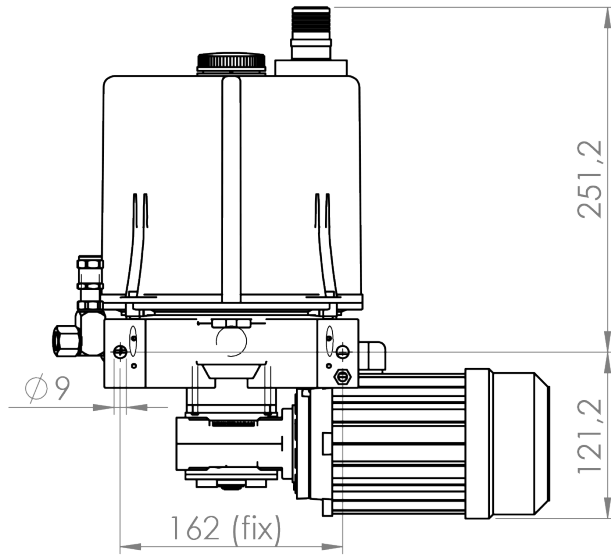
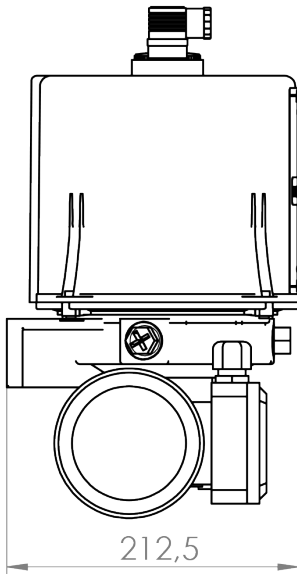
## without electric level indicator

Ordering code	Transmission ratio	Cycles /1' 50Hz	Cycles /1' 60Hz	Adjustable discharge
41.4.380VF300O	1-30	46	55	no
41.4.380VF500O	1-50	28	33	no
41.4.380VF800O	1-80	17	20	no
41.4.380VR300O	1-30	46	55	si
41.4.380VR800O	1-80	17	33	si

## with electric level indicator

Ordering code	Transmission ratio	Cycles /1' 50Hz	Cycles /1' 60Hz	Adjustable discharge
41.4.380VF30LO	1-30	46	55	no
41.4.380VF50LO	1-50	28	33	no
41.4.380VF80LO	1-80	17	20	no
41.4.380VR30LO	1-30	46	55	si
41.4.380VR80LO	1-80	17	33	si

\* Any cost variation due to the use of engines other than the standard must be requested directly to ILC.





## PEO-580



PEO-580 is an oil pump with a 8kg transparent reservoir.

The standard version comes with a single output, additional pumping elements will have to be ordered separately.

For orders with single-phase 115 V AC motors or other voltages, replace the voltage value in the relevant code, eg **41.8.380VR80CO** (three-phase) becomes **41.8.115VR80CO** (115 V AC single phase) \*.

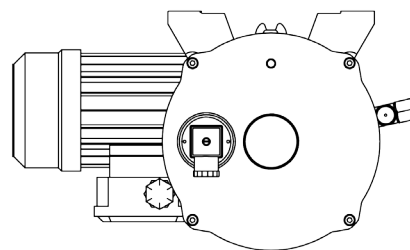
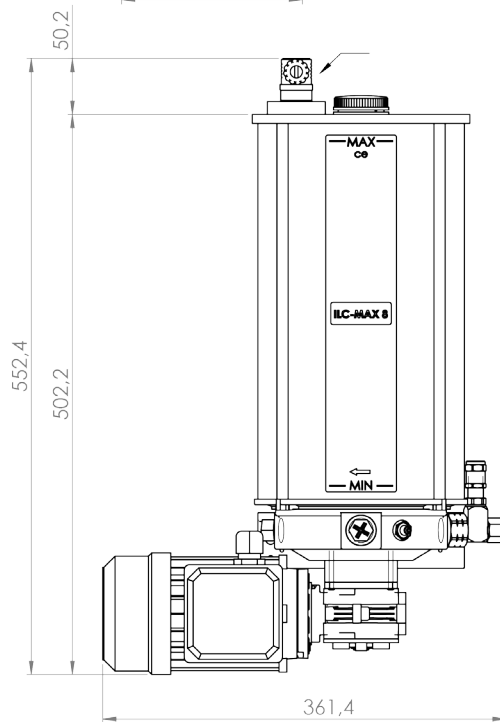
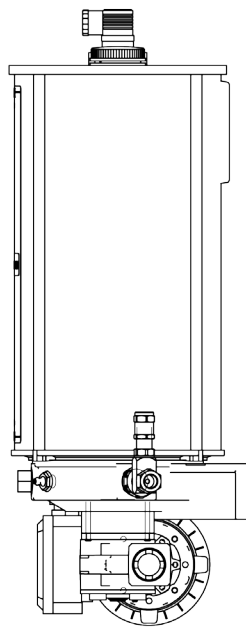
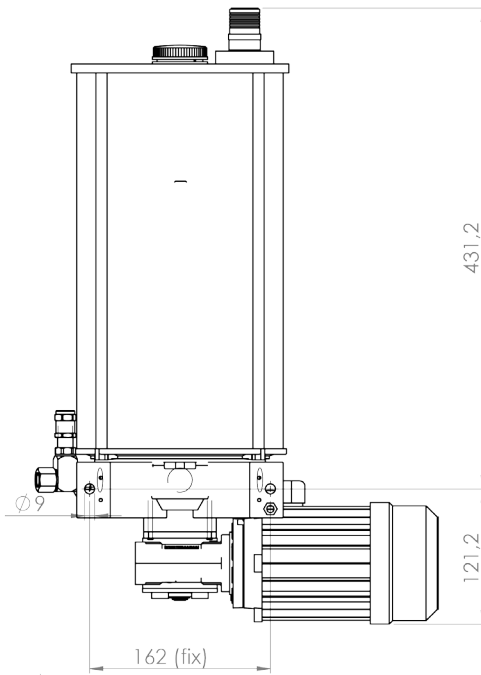
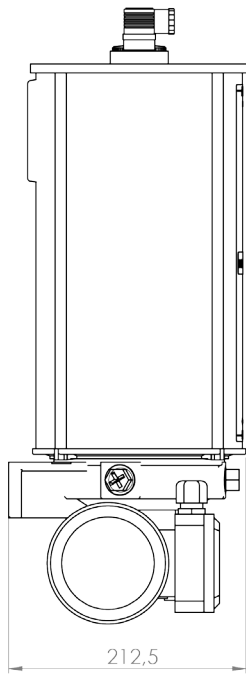
## without electric level indicator

Ordering code	Transmission ratio	Cycles /1' 50Hz	Cycles /1' 60Hz	Adjustable discharge
41.8.380VF300O	1-30	46	55	no
41.8.380VF500O	1-50	28	33	no
41.8.380VF800O	1-80	17	20	no
41.8.380VR300O	1-30	46	55	si
41.8.380VR800O	1-80	17	33	si

## with electric level indicator

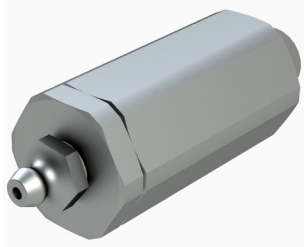
Ordering code	Transmission ratio	Cycles /1' 50Hz	Cycles /1' 60Hz	Adjustable discharge
41.8.380VF30LO	1-30	46	55	no
41.8.380VF50LO	1-50	28	33	no
41.8.380VF80LO	1-80	17	20	no
41.8.380VR30LO	1-30	46	55	si
41.8.380VR80LO	1-80	17	33	si

\* Any cost variation due to the use of engines other than the standard must be requested directly to ILC.



## Refill grease strainer

07.270.0



In order to prevent the introduction of impurities during the loading phase of the reservoir, we recommend the application of load filters that can be placed directly in the pump body by unscrewing the grease nipple.

Element	Code
Filler strainer set	07.270.0
Strainer cartridge	A93.086020
Grease nipple 1/8"	A70.078422

## Fixed pumping element

90.900.0

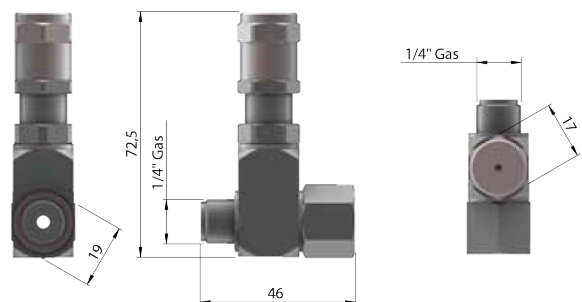
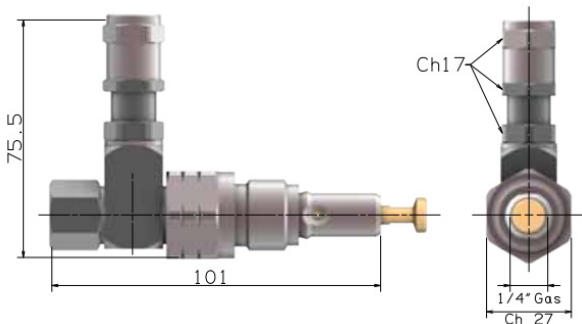


All Peg electric pumps can be equipped, even afterwards, with a 2nd and 3rd pump that can feed other main lines or convey the lubricant delivered in the same pipe.

For more practical end use, the delivery attachment is a 360 ° swivel joint. An adjustable relief valve is inserted on the side to protect the various elements from overpressures.



Element	Code
Unit assembly	90.900.0
Pumping unit	A70.093245
Relief valve	A68.075011



Lubrication unit supply block

40.BMI.01



Pressure gauge - Grease nipple

The block is mounted on the delivery to check the operating pressure of the plant and to fill the system with a pneumatic pump.

Element	Code
Unit assembly	40.BMI.01
Grease nipple 1/4"	39.000.3
Pressure gauge 0-400 bar	46.600.0

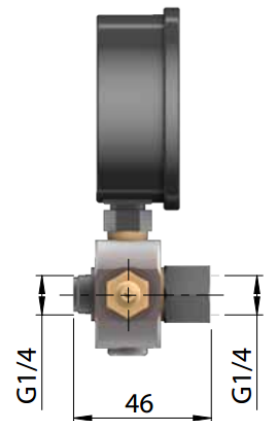
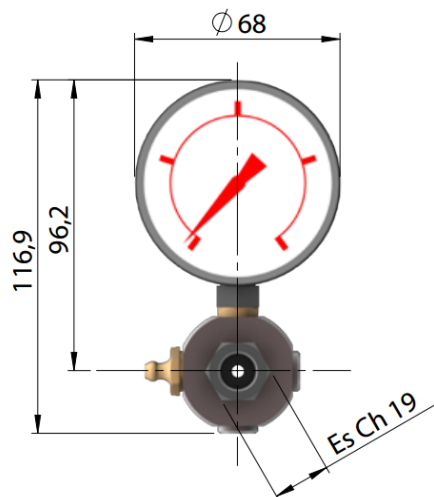
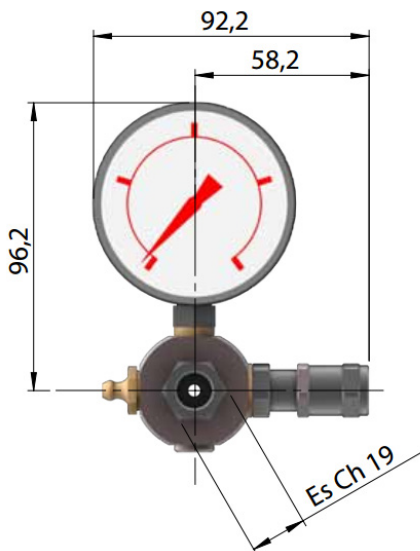
40.BMI.02



Pressure gauge - Relief valve - Grease nipple

The block is mounted on the delivery to check the operating pressure of the plant and to fill the system with a pneumatic pump. The relief valve protects against overpressures.

Element	Code
Unit assembly	40.BMI.02
Grease nipple 1/4"	39.000.3
Pressure gauge 0-400 bar	46.600.0
Max pressure valve	A68.075011



## Lubrication unit supply block

**40.BMI.03**


### Pressure gauge - Electromechanic sensor - Grease nipple

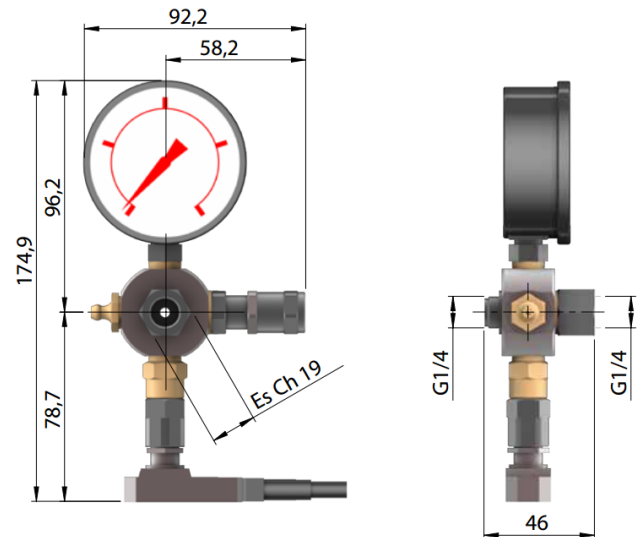
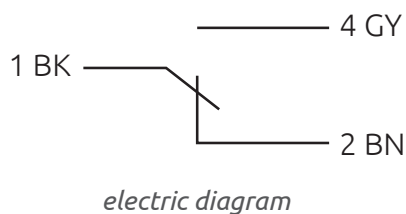
The block is directly mounted on the pump outlet. The pressure gauge checks the operating pressure of the system, while the grease nipple serves in case of manual or pneumatic system refilling.

In addition, the relief valve protects the system from any overpressure and the electromechanic sensor intervenes in case of high pressure in the main line.

Element	Code
Unit assembly	40.BMI.03
Grease nipple 1/4"	39.000.3
Pressure gauge 0-400 bar	46.600.0
Max pressure valve	A68.075011
Overpressure sensor 250 bar	09.713.7

### Sensor technical data

Tension	230 V AC - 250 DC
Power	40 W
Absorption	1 A



Lubrication unit supply block

40.BMI.04



Pressure gauge - inductive sensor - grease nipple

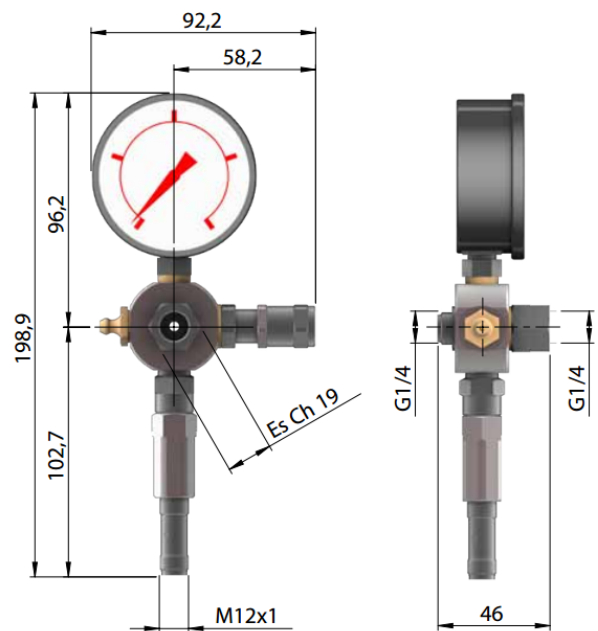
The block is directly mounted on the pump outlet. The pressure gauge checks the operating pressure of the system, while the grease nipple serves in case of manual or pneumatic system refilling.

In addition, the relief valve protects the system from any overpressure and the inductive sensor intervenes in case of high pressure in the main line.

Element	Code
Unit assembly	40.BMI.04
Ingrassatore 1/4"	39.000.3
Pressure gauge 0-400 bar	46.600.0
Overpressure inductive sensor (250 bar)	09.712.7
Max pressure valve	A68.075011

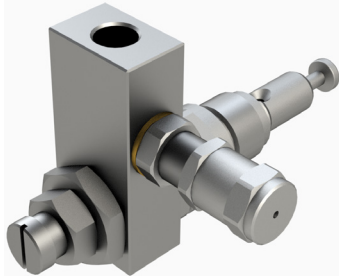
Sensor technical data

Tension	6 - 30 V DC
Output current	Max 200 mA
Current	< 12 mA
Temperature	-25° C +70° C
Protection degree	IP67
Body	Steel (INOX)

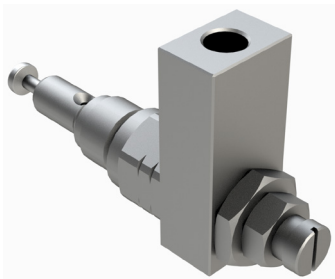


## Adjustable pumping element

90.900.3



90.900.3



90.900.4

The pump is equipped with a 1/4 "G output.

The code for the complete safety valve pump is **(90.900.3)**.

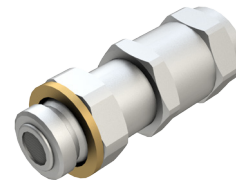
The code for the no-relief valve pump is **(90.900.4)**.

To add an external relief valve please order the code **(068.075011)**.

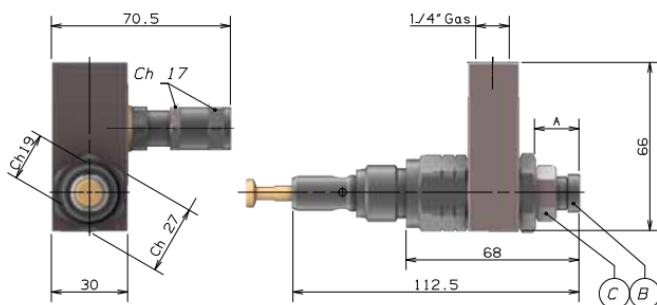
Element	Code
Unit assembly	90.900.3
Pumping unit	90.900.4
Relief valve	A68.075011

To obtain a change in the nominal flow of the pump, loosen the locknut (C) and turn the adjusting screw (B) clockwise and counterclockwise respectively to reduce or increase the amount of lubricant delivered.

Once the desired value is set, it is extremely important to lock the lock nut (C) again.



068.075011

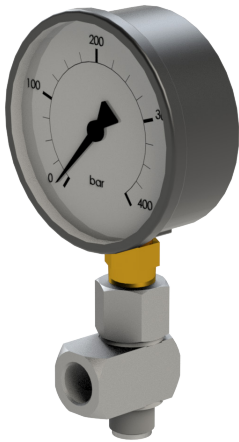


A	Discharge/cycle	Percentage
23,6	0,16 cc	100%
22,5	0,12 cc	75%
21	0,08	50%
19,5	0,04	25%
18,5	0,01	6%
17,5	0,00	0%

*Important! 'A' should not exceed 23.6 mm*

Two-way clamp with pressure gauge

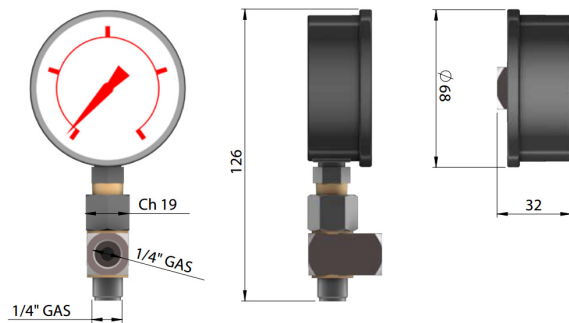
A70.093523



Pressure gauge

The block is directly mounted on the pump outlet. The pressure gauge checks the operating pressure of the system.

Element	Code
Unit assembly	A70.093523
Pressure gauge	46.600.6



Three-way clamp with pressure gauge

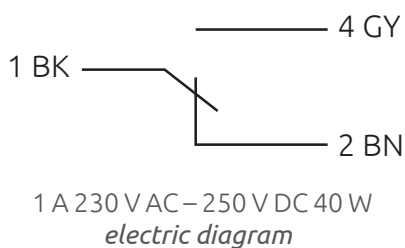
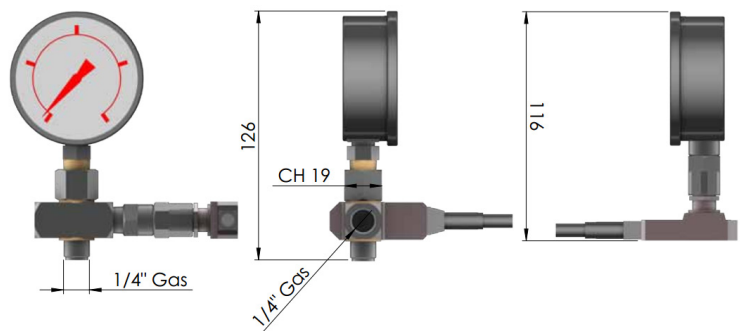
A70.093525



Pressure gauge - electromechanic sensor

The block is directly mounted on the pump outlet. The pressure gauge checks the operating pressure of the system. The electromechanic sensor intervenes in case of high pressure in the main line.

Element	Code
Unit assembly	A70.093525
Pressure gauge	46.600.6
Overpressure sensor (250 bar)	09.713.7





## Two-way clamp with pressure gauge

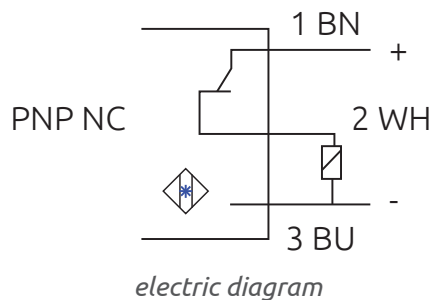
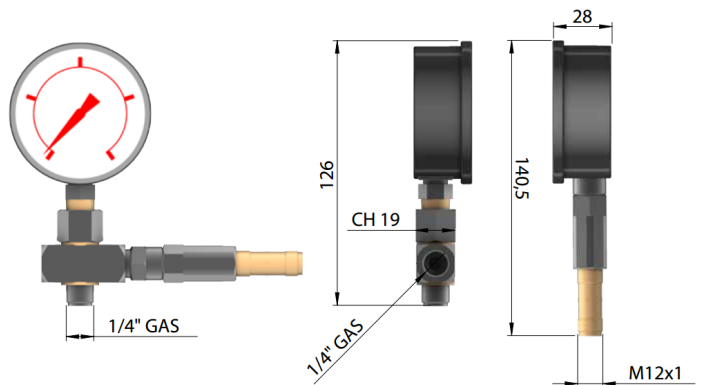
A70.093524



### Pressure gauge - inductive sensor

The block is directly mounted on the pump outlet. The pressure gauge checks the operating pressure of the system. The electromechanic sensor intervenes in case of high pressure in the main line.

Element	Code
Unit assembly	A70.093524
Pressure gauge 0-400 bar	46.600.0
Inductive sensor	09.712.7



### Sensor technical data

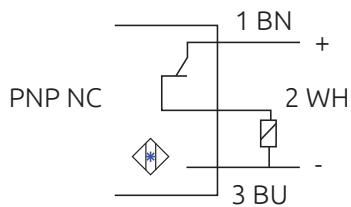
Tension	6 - 30 V DC
Output current	Max 200 mA
Current	< 12 mA
Temperature	-25° C +70° C
Protection degree	IP67
Body	Steel (INOX)

## Joint 1/4" GAS 2 way (inductive)

A70.093543


**1/4" Gas 2 way joint  
with inductive overpressure sensor 250 bar**

The joint is equipped with an inductive sensor to check for high pressure in the main line.



electric diagram

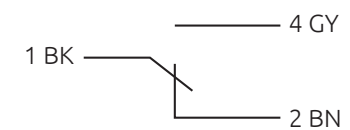
Element	Code
Unit assembly	A70093543
Inductive sensor	09.712.7

## Joint 1/4" GAS 2 way (electromechanic)

A70.093544


**1/4" Gas 2 way joint  
with electromechanic overpressure sensor 250 bar**

The joint is equipped with an electromechanic sensor to check for high pressure in the main line.



1 A 230 V AC – 250 V DC 40 W

electric diagram

Element	Code
Unit assembly	A70.093544
Electromechanic sensor	09.713.7